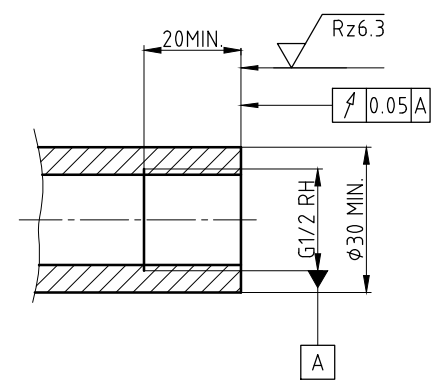
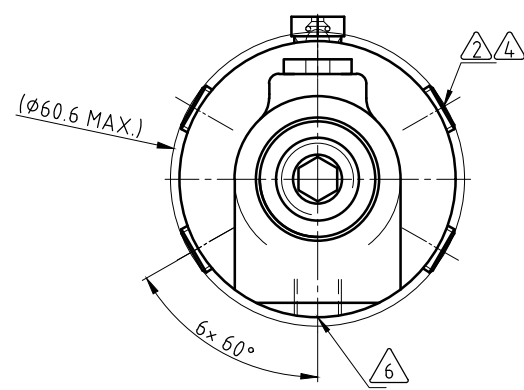
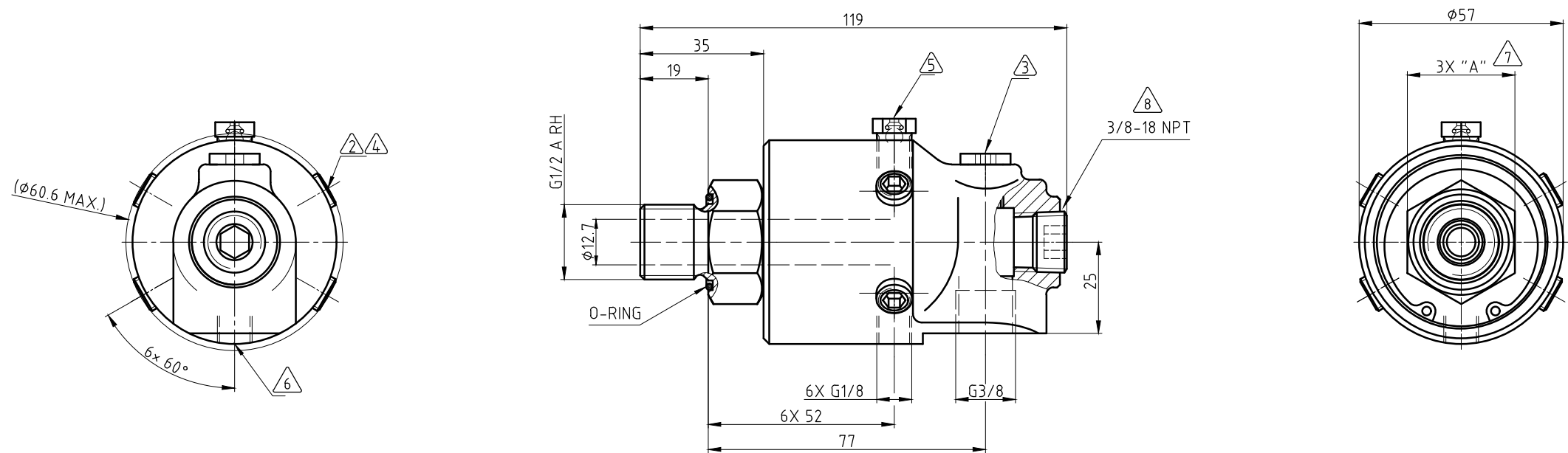


NOTES:

- 1 - CONTACT DEUBLIN OR VISIT WWW.DEUBLIN.COM FOR INSTRUCTION MANUAL: 040-550
- 2 - 4X PLUGGED
- 3 - VENDING DIN908-G1/8.
- 4 - FLUSH OR 1.8 MAX. OUTSIDE HOUSING.
- 5 - AIR VALVE (12 O'CLOCK-POSITION).
- 6 - LEAKAGE HOLE (5-7 O'CLOCK-POSITION).
- 7 - DEPENDING ON COUNTRY OF ORIGIN, HEX STOCK MAY VARY AS NOTED. SEE TABLE FOR ACCEPTABLE WRENCH SIZES.
- 8 - PLUG INSTALLED HAND TIGHT FROM FACTORY. IF PORT IS NOT UTILIZED, TIGHTEN BEFORE USE.



CUSTOMER INTERFACE

OPERATING DATA	
MEDIA	WATER
PRESSURE MAX.	10 bar
SPEED MAX.	3500 min ⁻¹
TEMPERATURE MAX.	90 °C
DRY RUN (WITHOUT ANY MEDIA)	SEE 040-732
RECOMMENDED FILTRATION	60 micron

HEX SIZES	WRENCHES	
	UNITS	"A"
METRIC [mm]	30-0.13	✓
IMPERIAL [in]	1.125-0.006	✓

DEUBLIN
 HOERBIGER Rotary Solutions

PROJECTION:	SCALE: 1:1	TITLE: DEUBLIN ROTATING UNION DEUBLIN Drehdurchführung
MATERIAL:	INTERFACE CONTROL DRAWING	
DRN: 23.12.2020	NAME: MZe	NO. 157-326-342
ENGR: 23.12.2020	RMika	
APPD.		
UNLESS SPECIFICALLY TOLERANCED, ALL DIMENSIONS ARE CONSIDERED REFERENCE		SHEET A2

ISSUE MODIFICATION ECO DATE SIGN