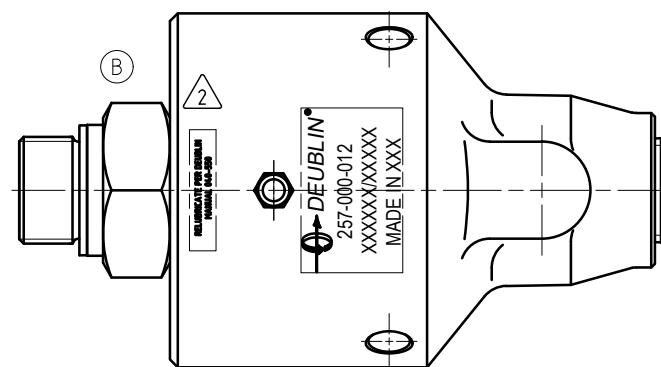
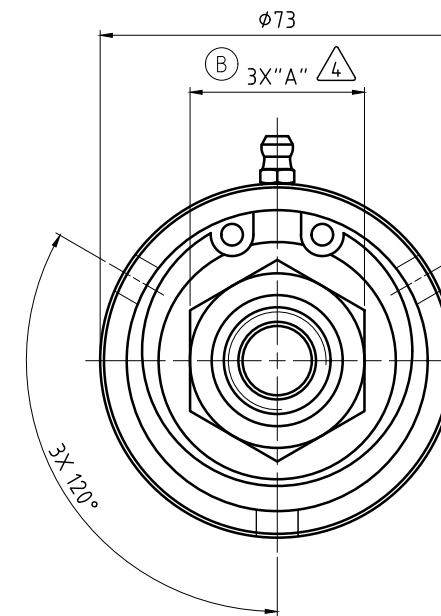
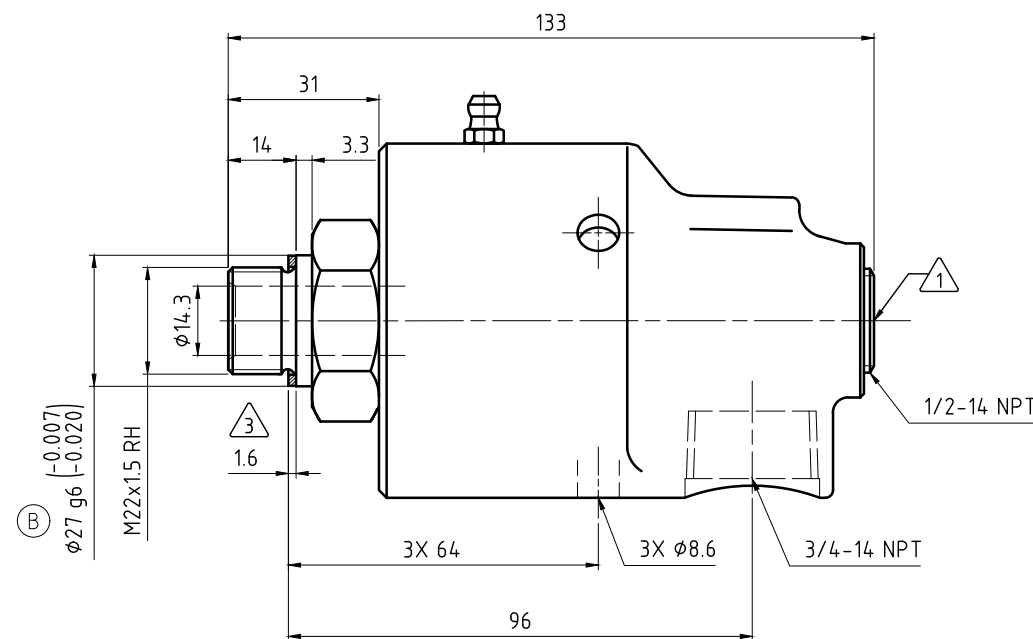
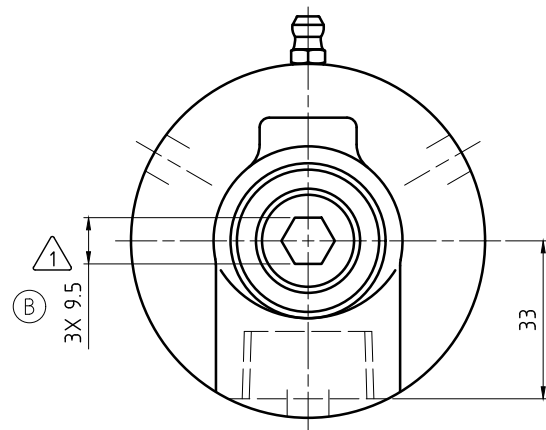


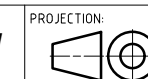
NOTES:

- ① - PLUG INSTALLED HAND TIGHT FROM FACTORY. IF PORT IS NOT UTILIZED, TIGHTEN BEFORE USE.
- ② - CONTACT DEUBLIN OR VISIT WWW.DEUBLIN.COM FOR INSTRUCTION MANUAL: 040-550
- ③ - GASKET THICKNESS.
- ④ - DEPENDING ON COUNTRY OF ORIGIN, HEX STOCK MAY VARY AS NOTED. SEE TABLE FOR ACCEPTABLE WRENCH SIZES.



OPERATING DATA			
MEDIA	WATER	SATURATED STEAM (INTERMITTENT)	THERMAL OIL
PRESSURE MAX.	50 bar	1 bar	6.6 bar
SPEED MAX.	3500 min ⁻¹		
TEMPERATURE MAX.	121 °C		
DRY RUN (WITHOUT ANY MEDIA)	NO		
RECOMMENDED FILTRATION	60 micron		

④	HEX SIZES		WRENCHES	
	UNITS	"A"	36mm	1 7/16"
METRIC [mm]	36-0.13	✓	☒	
IMPERIAL [in]	1.438-0.006	✓	✓	



PROJECTION: SCALE: 1:1
 MATERIAL: INTERFACE CUSTOMER DRAWING

DATE	NAME	TITLE
DRN. 05/16/20	TG	ROTATING UNION
ENGR. 05/16/20	RMika	
APPD.		

NO. 257-000-012
 SHEET A2

ISSUE	MODIFICATION	ECO	DATE	SIGN
B	SECD	61385	08/21	NR
A	SECD	60432	03/21	DY

UNLESS SPECIFICALLY TOLERANCED, ALL DIMENSIONS ARE CONSIDERED REFERENCE