

CONFIDENTIAL
 THIS DOCUMENT CONTAINS CONFIDENTIAL AND PROPRIETARY
 INFORMATION OF DEUBLIN COMPANY. COPYING, USE,
 TRANSMISSION, DISTRIBUTION, AND DISCLOSURE ARE SUBJECT
 TO THE TERMS AND CONDITIONS CONTAINED IN YOUR
 AGREEMENT WITH DEUBLIN COMPANY. ALL RIGHTS RESERVED.

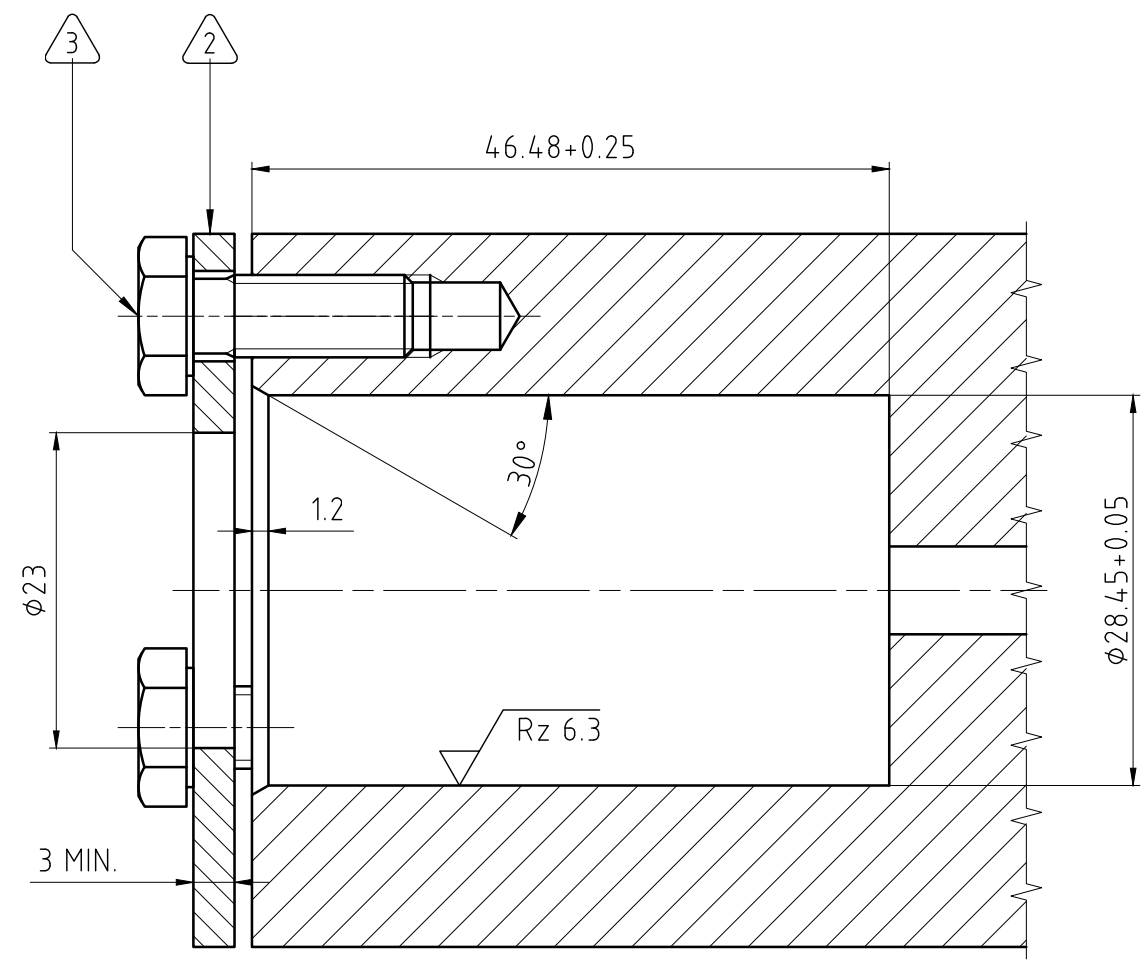
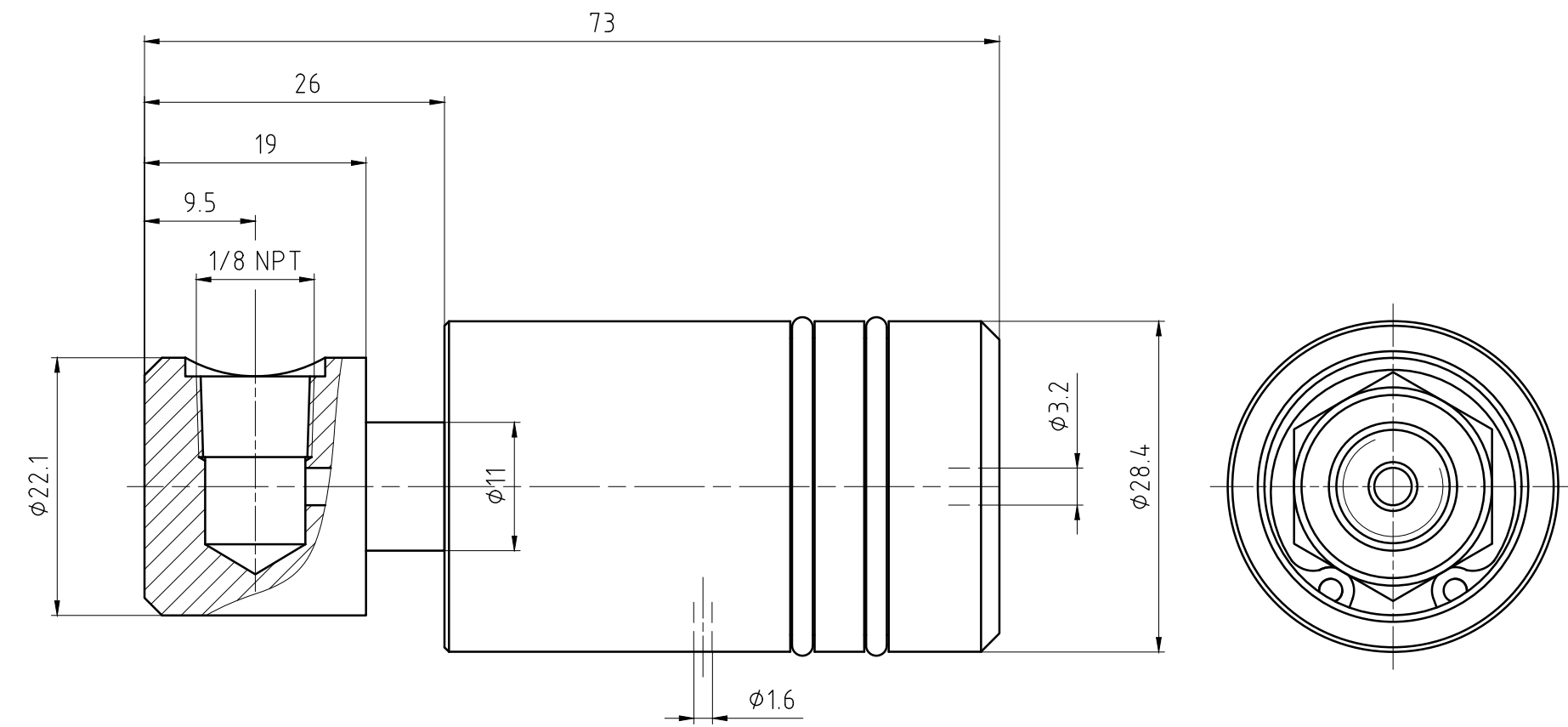
NOTES:

1 - CONTACT DEUBLIN OR VISIT WWW.DEUBLIN.COM
 FOR INSTRUCTION MANUAL: 040-555

2 - RETAINING PLATE (STEEL) SUPPLIED BY CUSTOMER.

3 - 3X SCREW M6 SUPPLIED BY CUSTOMER.

CUSTOMER INTERFACE



OPERATING DATA			
MEDIA	AIR	VACUUM	HYDRAULIC OIL
PRESSURE MAX.	10 bar	7 kPa	70 bar
SPEED MAX.	3500 min ⁻¹	3500 min ⁻¹	3500 min ⁻¹
TEMPERATURE MAX.	120 °C	120 °C	120 °C
DRY RUN	NO	NO	NO

DEUBLIN
 Engineered for Performance

PROJECTION:

SCALE: 2:1

MATERIAL: INTERFACE CONTROL DRAWING

TITLE: DEUBLIN ROTATING UNION
 DEUBLIN Drehdurchführung

NO. 1005-000-001

SHEET A3

DATE	NAME
DRN. 04.06.2018	CW
ENGR. 04.06.2018	FD
APPD.	

UNLESS SPECIFICALLY TOLERANCED, ALL DIMENSIONS ARE CONSIDERED REFERENCE

ISSUE	MODIFICATION	ECO	DATE	SIGN
A	REDRAW/UPDATE TO IMS	047599	06/18	CW