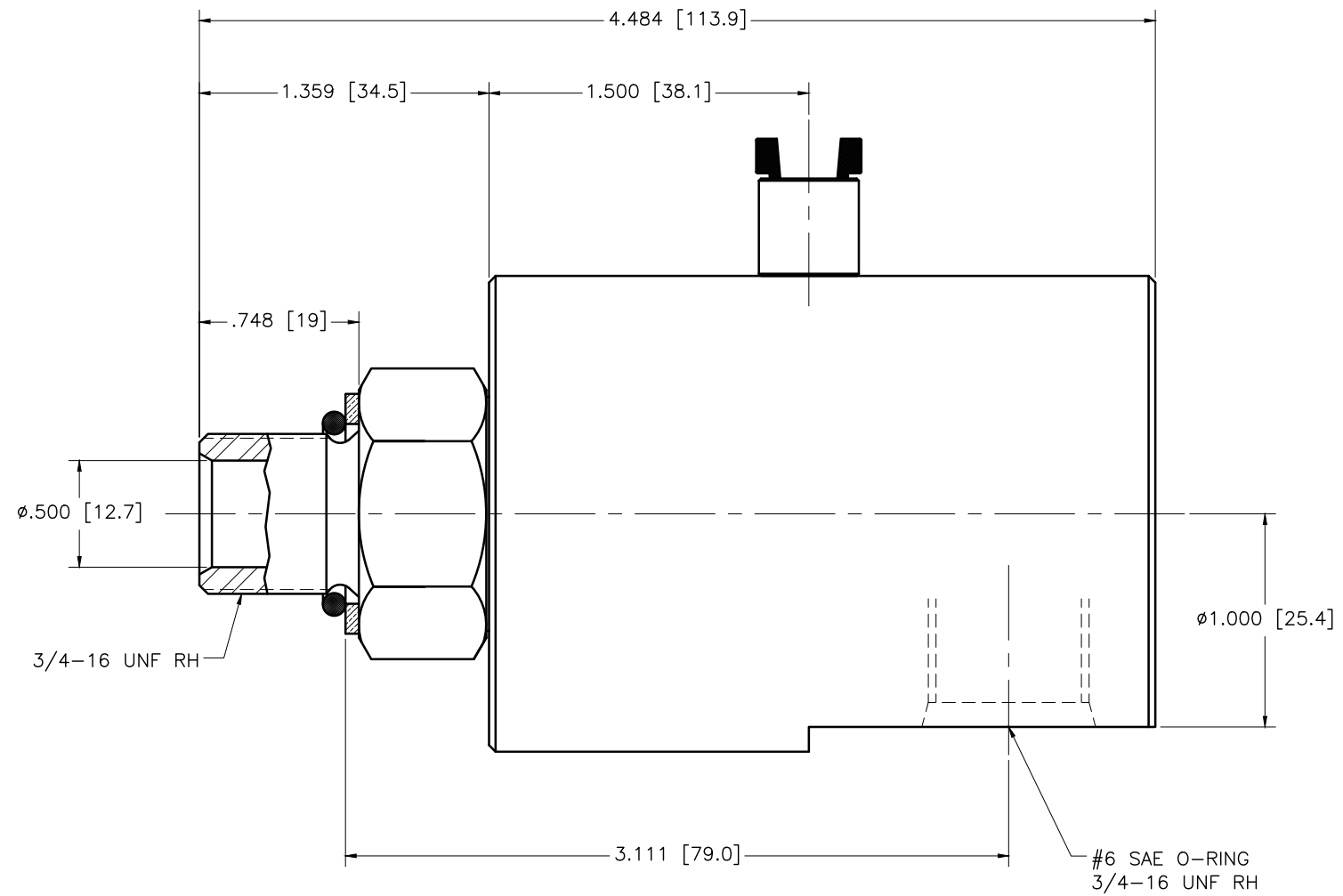
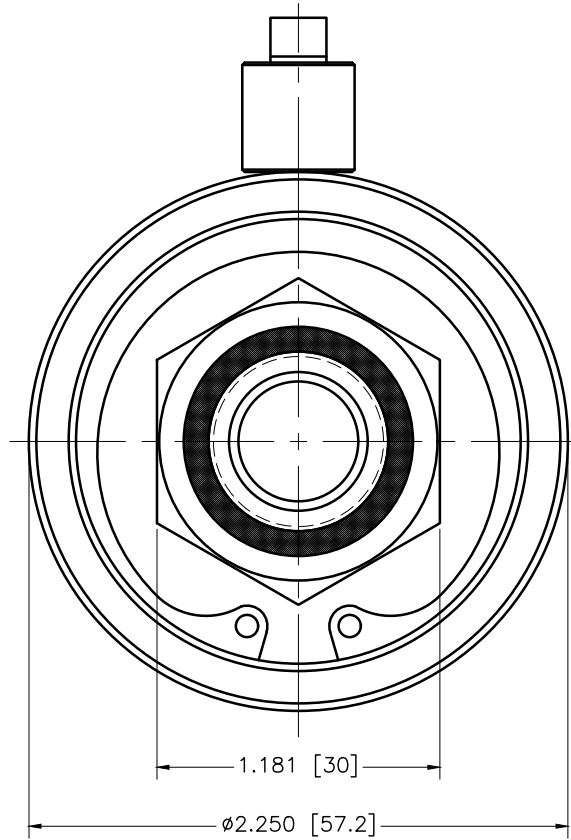


CONFIDENTIAL
 THIS DOCUMENT CONTAINS CONFIDENTIAL AND PROPRIETARY INFORMATION OF DEUBLIN COMPANY. COPYING, USE, TRANSMISSION, DISTRIBUTION, AND DISCLOSURE ARE SUBJECT TO THE TERMS AND CONDITIONS CONTAINED IN YOUR AGREEMENT WITH DEUBLIN COMPANY. ALL RIGHTS RESERVED.

NOTES:

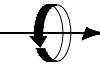
1 - WHEN ORDERING FROM DEUBLIN USE PART NUMBER: 1205-165.



SCALE	2:1	DWG SIZE	
DRN	NR	09/04/07	
ENGR	RM	09/04/07	
APPD	TW	09/07/07	
PART NO.	1205-165		
CUSTOMER			
LET.	REVISION	ECO	DATE SIGN

UNLESS SPECIFICALLY TOLERANCED, ALL DIMENSIONS ARE REFERENCE

DIMENSIONS IN [] ARE IN MILLIMETERS.



DEUBLIN COMPANY
 WAUKEGAN, ILLINOIS, U.S.A.

TITLE: INTERFACE CONTROL DRAWING OF DEUBLIN UNION 1205-165

DWG NO. 1205-165-IC C.A.D DRAWING