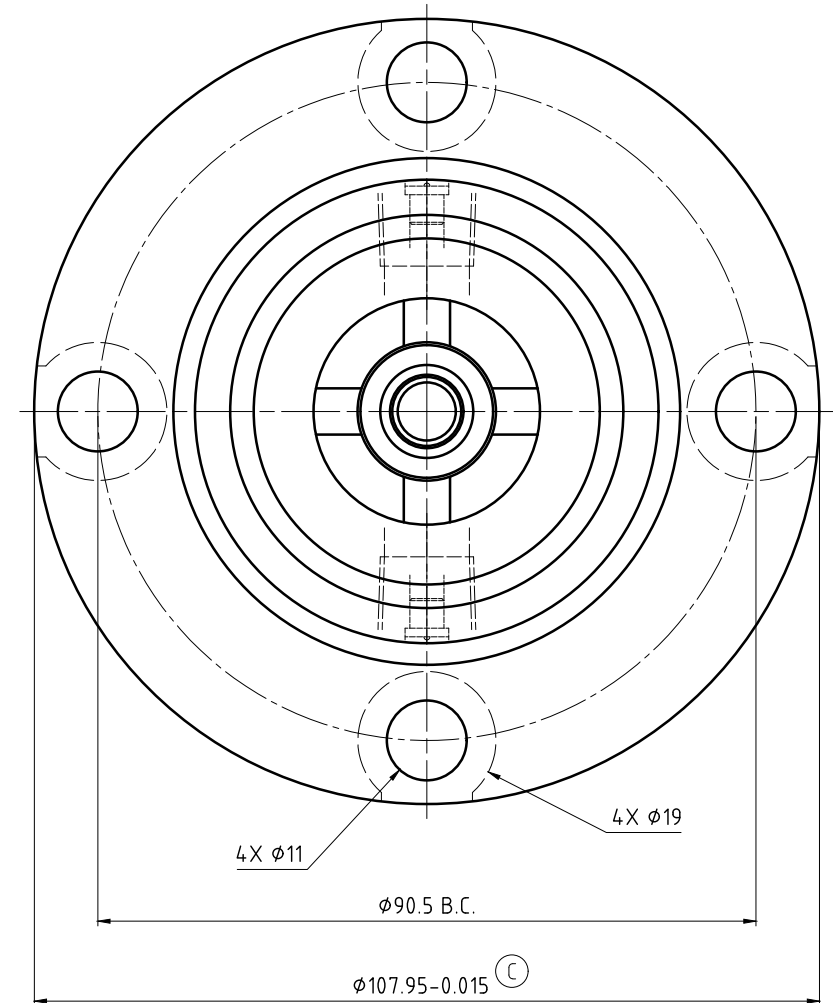
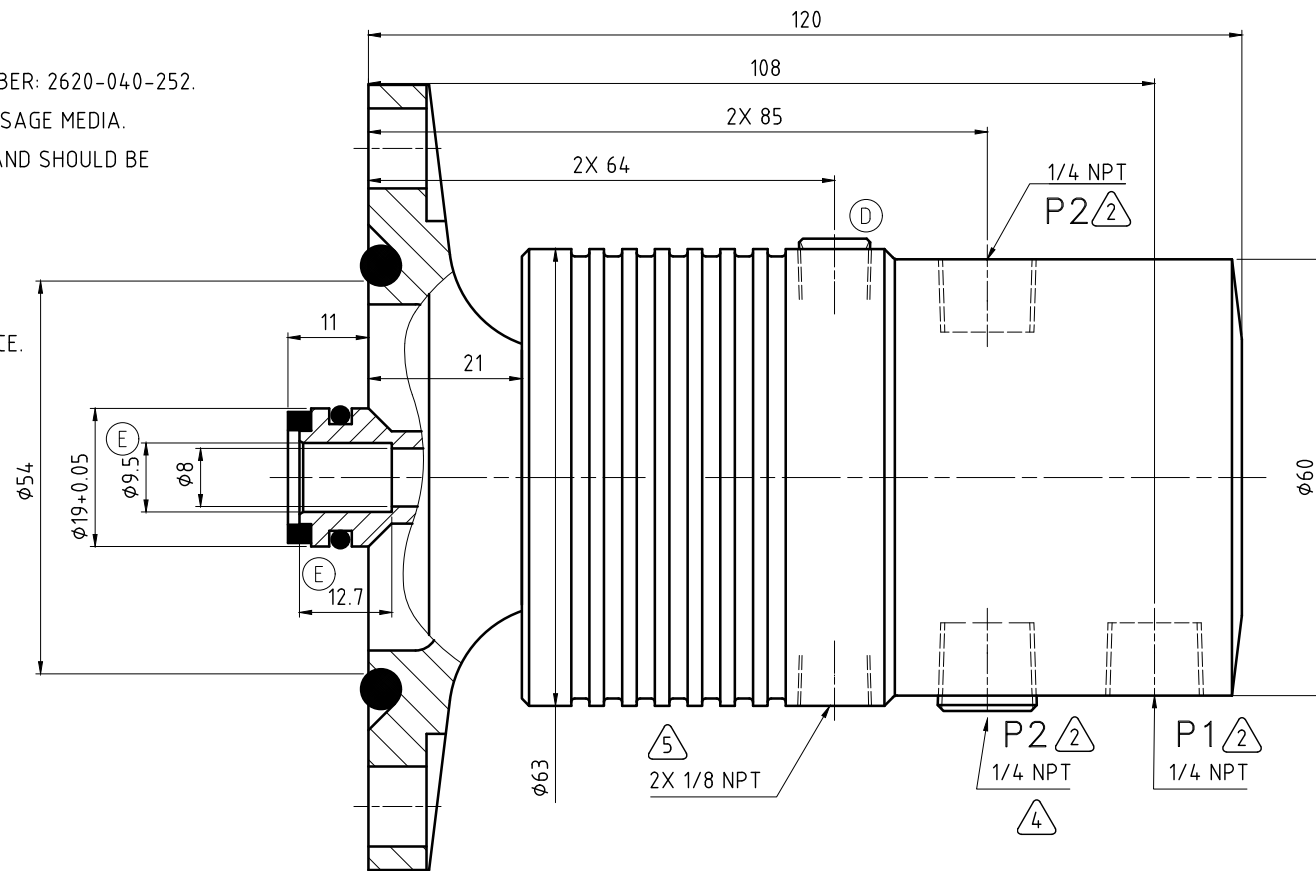


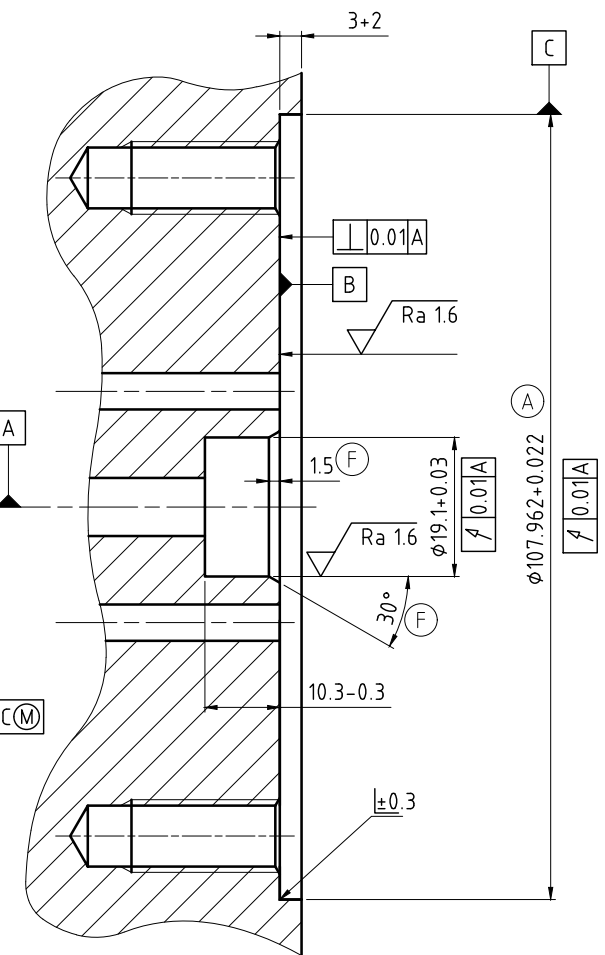
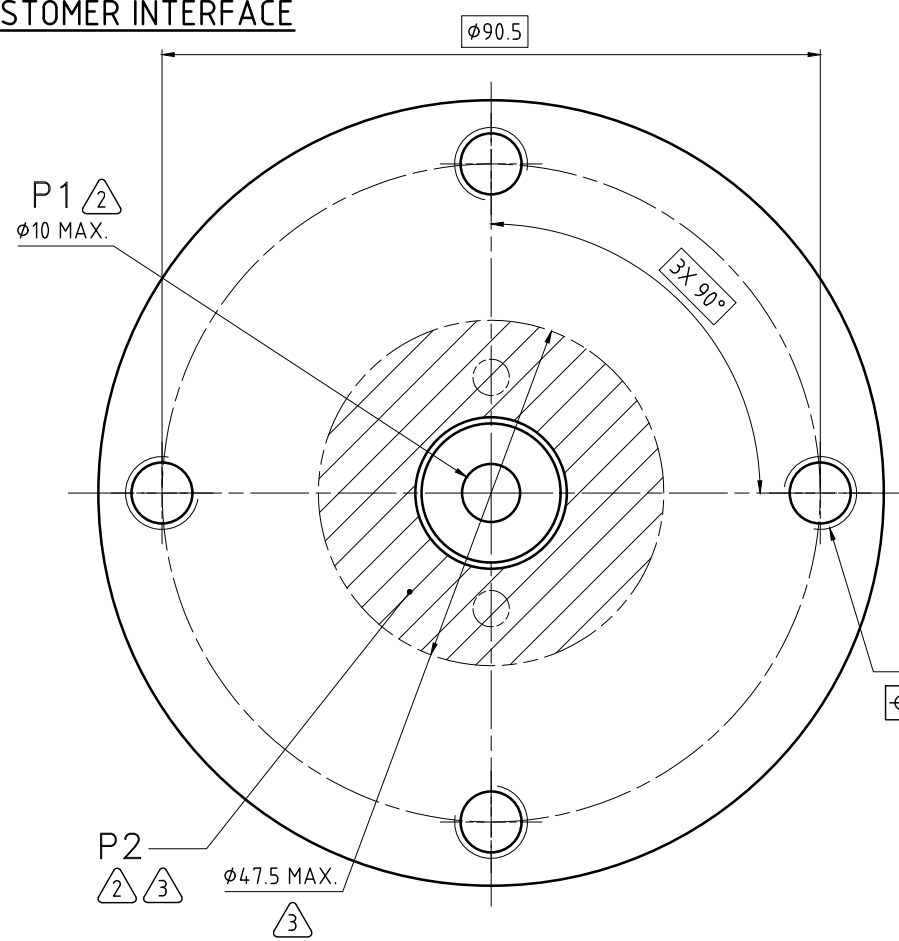
CONFIDENTIAL
 THIS DOCUMENT CONTAINS CONFIDENTIAL AND PROPRIETARY INFORMATION OF DEUBLIN COMPANY. COPYING, USE, TRANSMISSION, DISTRIBUTION, AND DISCLOSURE ARE SUBJECT TO THE TERMS AND CONDITIONS CONTAINED IN YOUR AGREEMENT WITH DEUBLIN COMPANY. ALL RIGHTS RESERVED.

NOTES:

- 1 - WHEN ORDERING FROM DEUBLIN USE PART NUMBER: 2620-040-252.
- 2 - SEE OPERATING DATA CHART FOR P1 & P2 PASSAGE MEDIA.
- 3 - P2 PASSAGES TO BE WITHIN AREA INDICATED AND SHOULD BE SYMMETRICAL. 2X $\phi 4$ MIN. RECOMMENDED.
- 4 - ALTERNATIVE P2 PORT (PLUGGED).
- 5 - DRAIN PORT.
- 6 - TIGHTEN MOUNTING BOLTS TO 40 ± 5 Nm, USING A CROSS PATTERN TIGHTENING SEQUENCE.



CUSTOMER INTERFACE



OPERATING DATA

PASSAGE MEDIA		P1 INNER	P2 OUTER
		HYDRAULIC OIL	HYDRAULIC OIL
PRESSURE	MAXIMUM	140 bar	70 bar
	MINIMUM	-	-
FLOW RATE	MAXIMUM	69 L/min	69 L/min
	MINIMUM	-	-
TEMPERATURE	MAXIMUM	71 °C	71 °C
	MINIMUM	5 °C	5 °C
MAXIMUM SPEED		12000 min ⁻¹	
DRY RUN		NO	

DEUBLIN COMPANY
 WAUKEGAN, ILLINOIS, U.S.A.

PROJECTION:

SCALE: 1:1
 MATERIAL: INTERFACE CONTROL DRAWING

DATE: 10/09/07
 NAME: LG

TITLE: DEUBLIN UNION 2-PASSAGE HYDRAULIC INNER AND OUTER

NO. 2620-040-252

ISSUE: F (CHAMFER 15-30° ADDED) 4/20/06 05/17 FD ENGR.
 E (#5, 127 ADDED) 001800 05/08 FD APPD.
 D (ADD DRAIN PLUG) 8122 10/07 LG
 C (REV. & REDRAWN) 8121 10/07 LG

UNLESS SPECIFICALLY TOLERANCED, ALL DIMENSIONS ARE CONSIDERED REFERENCE

SHEET A2