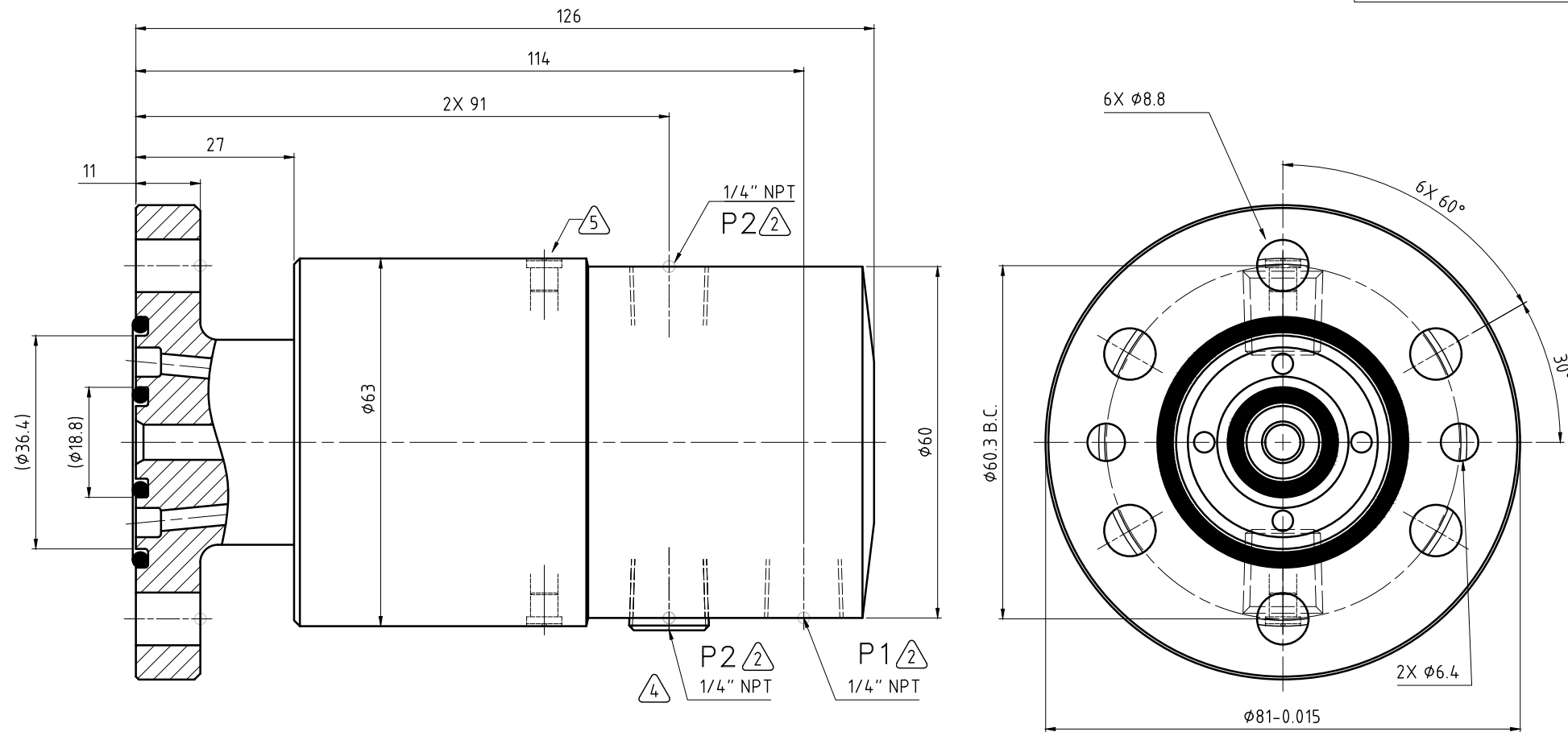


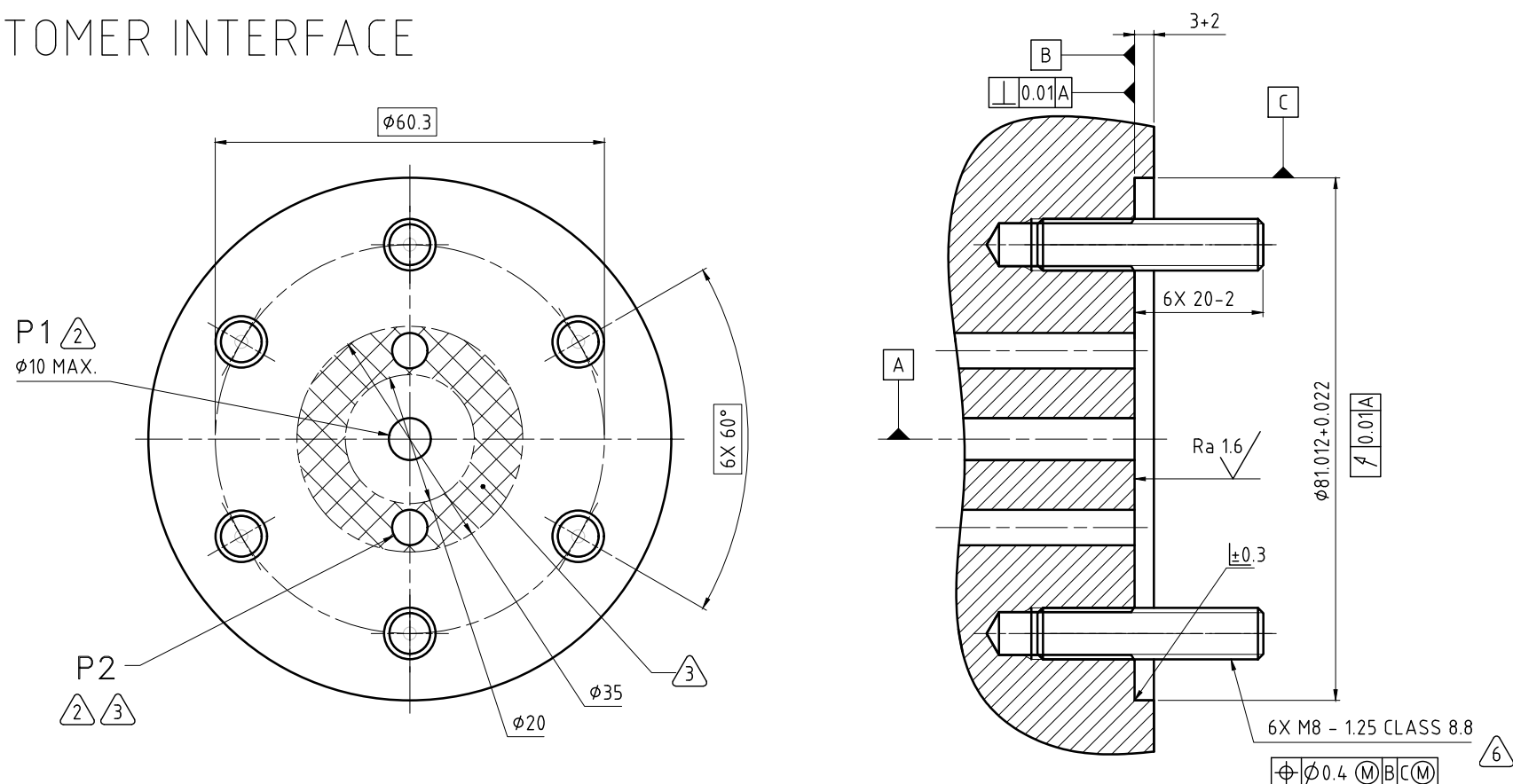
CONFIDENTIAL
 THIS DOCUMENT CONTAINS CONFIDENTIAL AND PROPRIETARY INFORMATION OF DEUBLIN COMPANY. COPYING, USE, TRANSMISSION, DISTRIBUTION, AND DISCLOSURE ARE SUBJECT TO THE TERMS AND CONDITIONS CONTAINED IN YOUR AGREEMENT WITH DEUBLIN COMPANY. ALL RIGHTS RESERVED.

NOTES:

- 1 - WHEN ORDERING FROM DEUBLIN USE PART NUMBER: 2620-200-157.
- 2 - SEE OPERATING DATA CHART FOR P1 AND P2 PASSAGE MEDIA.
- 3 - P2 PASSAGES TO BE WITHIN AREA INDICATED AND SHOULD BE SYMMETRICAL. 2X $\phi 4$ MIN. RECOMMENDED.
- 4 - ALTERNATE P2 PASSAGE (PLUGGED).
- 5 - AIR SEAL OILER (QTY. 2).
- 6 - TIGHTEN MOUNTING NUTS USING A CROSS PATTERN TIGHTENING SEQUENCE TO 30 ± 5 N-m.



CUSTOMER INTERFACE



OPERATING DATA			
PASSAGE		P1 - INNER	P2 - OUTER
MEDIA		COOLANT	AIR
PRESSURE	MAXIMUM	70 bar	6 bar
	MINIMUM	-	-
FLOW RATE	MAXIMUM	69 L/min	30 L/sec
	MINIMUM	-	-
TEMPERATURE	MAXIMUM	71 °C	71 °C
	MINIMUM	5 °C	5 °C
MAXIMUM SPEED		7000/min	
DRY RUN		NO	

DEUBLIN COMPANY
 WAUKEGAN, ILLINOIS, U.S.A.

PROJECTION:

SCALE: 1.5:1

MATERIAL:

DATE: 10/08/07
 NAME: LG

TITLE: DEUBLIN UNION 2-PASSAGE COOLANT INNER / AIR OUTER

NO. 2620-200-157-IC

SHEET A2

DRN.	10/08/07	LG
ENGR.		
APPD.		

UNLESS SPECIFICALLY TOLERANCED, ALL DIMENSIONS ARE CONSIDERED REFERENCE