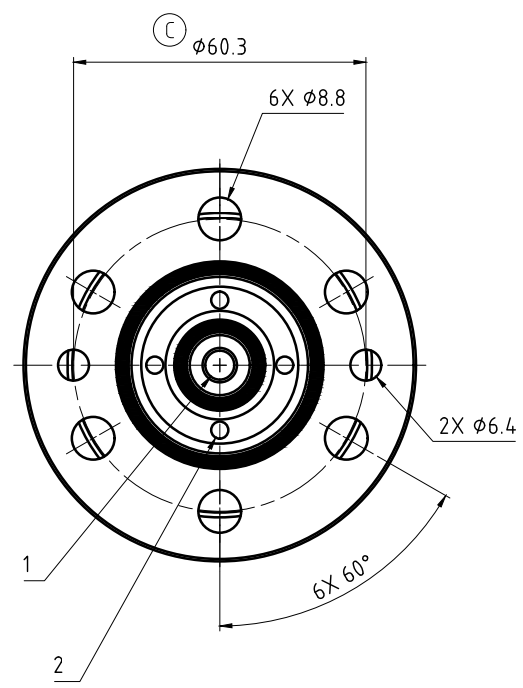
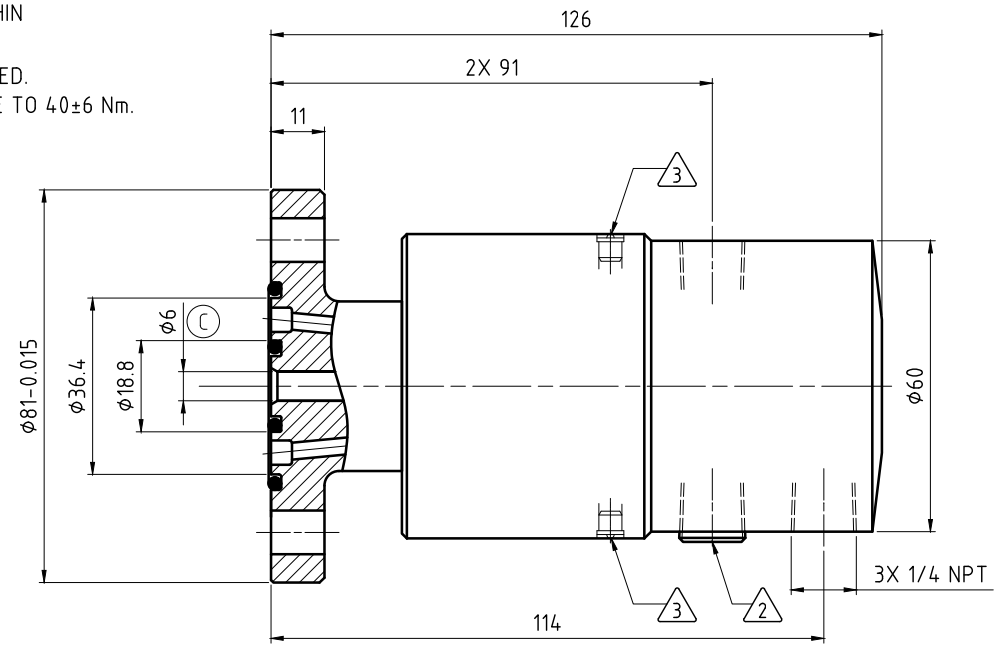
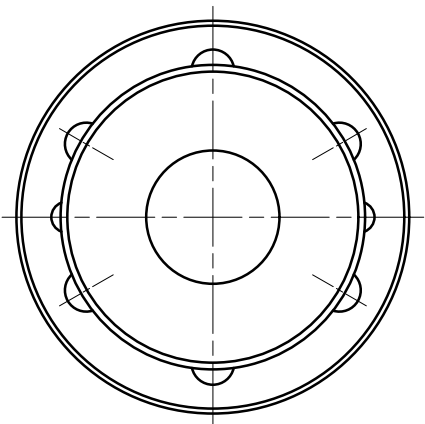


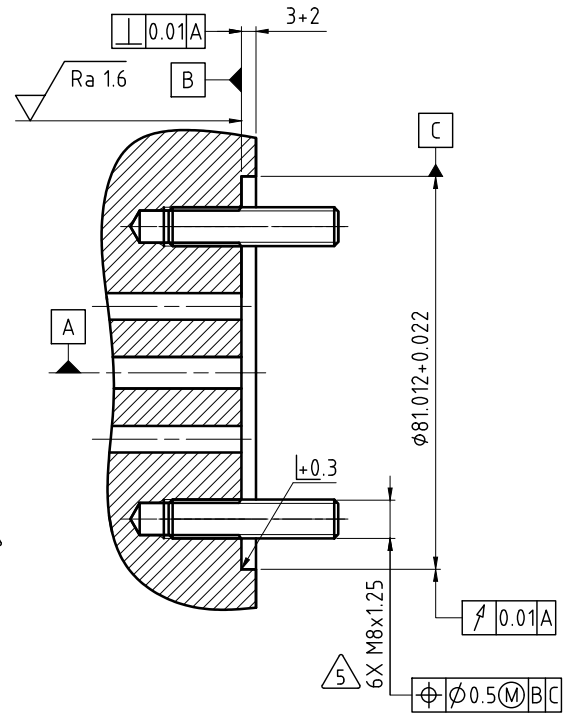
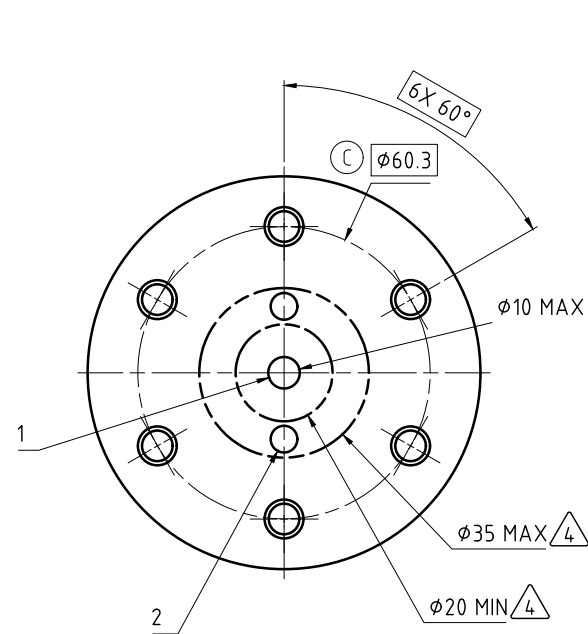
CONFIDENTIAL
 THIS DOCUMENT CONTAINS CONFIDENTIAL AND PROPRIETARY INFORMATION OF DEUBLIN COMPANY. COPYING, USE, TRANSMISSION, DISTRIBUTION, AND DISCLOSURE ARE SUBJECT TO THE TERMS AND CONDITIONS CONTAINED IN YOUR AGREEMENT WITH DEUBLIN COMPANY. ALL RIGHTS RESERVED.

NOTES:

- ① - CONTACT DEUBLIN OR VISIT WWW.DEUBLIN.COM FOR INSTRUCTION MANUAL: 040-565
- ② - PLUG INSTALLED HAND TIGHT FROM FACTORY. IF PORT IS NOT UTILIZED, TIGHTEN BEFORE USE.
- ③ - PASSAGE 2 SEAL OILER. REGULAR APPLICATION OF OIL TO SEALS MAY EXTEND LIFE OF UNION DEPENDING ON OPERATING CONDITIONS AND IS RECOMMENDED.
- ④ - INTERFACE SPINDLE PASSAGES FOR UNION PASSAGE 2 MUST BE WITHIN INDICATED DIAMETERS AND SHOULD BE SYMMETRICAL.
- ⑤ - M10 x 1.5 x 35 CLASS 8.8 MINIMUM SOCKET HEAD SET SCREWS REQUIRED. SCREWS MUST BE TIGHTENED IN A CROSS (STAR) PATTERN SEQUENCE TO 40±6 Nm.



CUSTOMER INTERFACE



OPERATING DATA				
PASSAGE		1	2	
MEDIA		AIR	COOLANT OR OIL	AIR
PRESSURE	MAXIMUM	10 bar	70 bar	10 bar
	MINIMUM	-	-	-
FLOW RATE	MAXIMUM	1800 NL/min	40 L/min	1800 NL/min
	MINIMUM	-	-	-
TEMPERATURE	MAXIMUM	70 °C	70 °C	70 °C
	MINIMUM	5 °C	5 °C	5 °C
MAXIMUM SPEED		7000 min ⁻¹		
DRY RUN		UNLIMITED	UNLIMITED	UNLIMITED
RECOMMENDED FILTRATION		ISO 4406 CLASS 17/15/12		

		PROJECTION:	SCALE: 1:1
			MATERIAL: INTERFACE CONTROL DRAWING
		DATE: 08/01/2007	TITLE: DEUBLIN 2-PASSAGE UNION
		NAME: AL	AIR/COOLANT/OIL
		ENGR: 08/01/2007	
		APPD:	
C	SEE ECO	039651	21.10.16
B	UPDATED DATA & NOTES	024.171	12/13
ISSUE	MODIFICATION	ECO	DATE
		UNLESS SPECIFICALLY TOLERANCED, ALL DIMENSIONS ARE CONSIDERED REFERENCE	NO. 2620-520-157
			SHEET A2