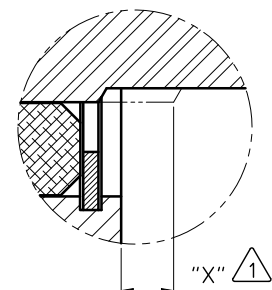
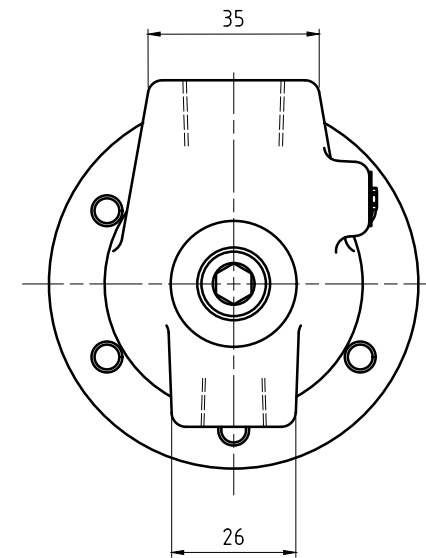
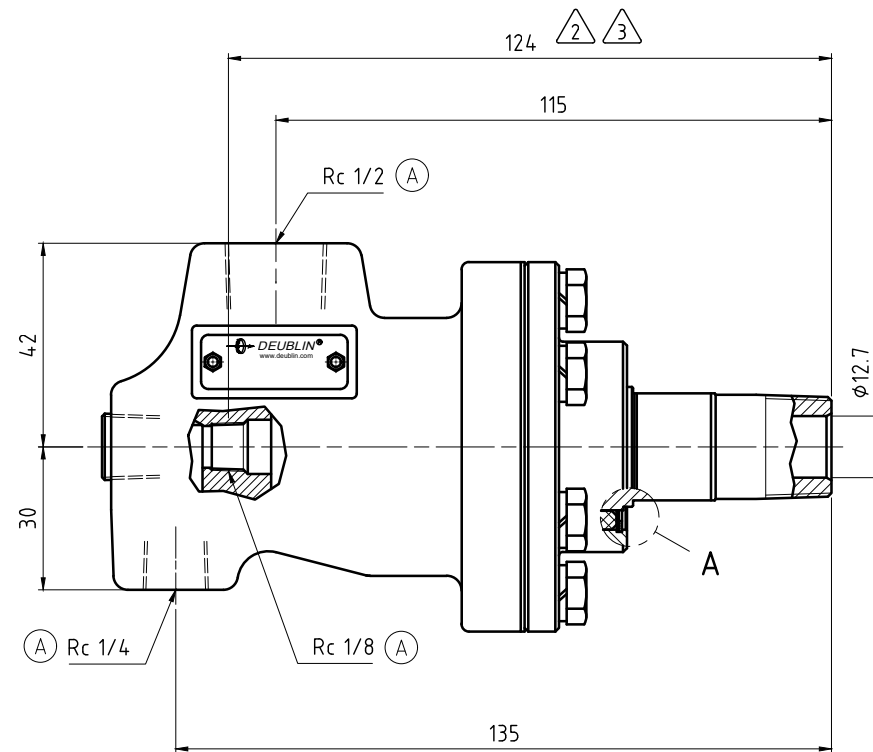
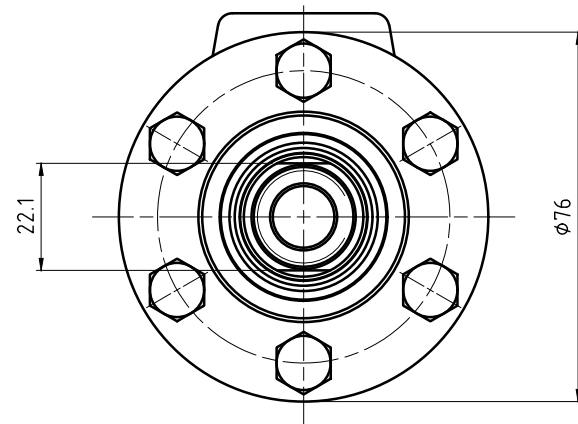
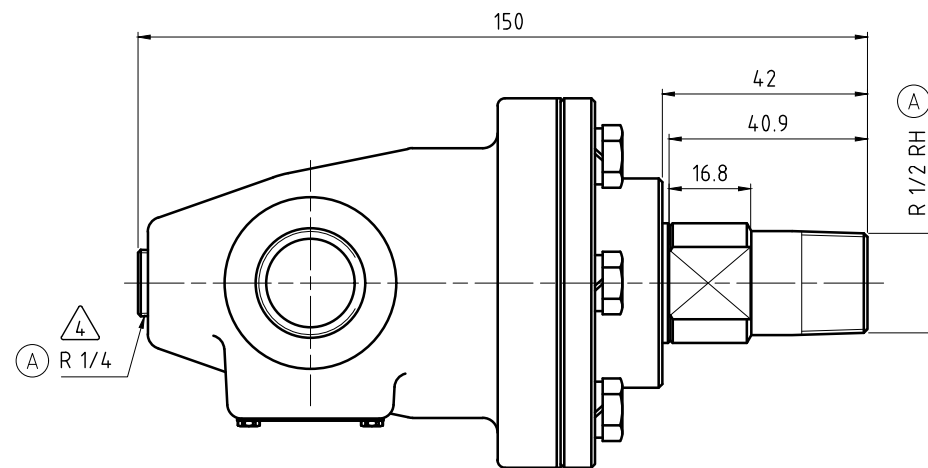


NOTES:

- ① - SEAL MUST BE REPLACED WHEN "X" DIMENSION EXCEEDS 4.8 mm. CONTACT DEUBLIN FOR APPROPRIATE SERVICE KIT.
- ② - PIPE LENGTH INTO UNION.
- ③ - PIPE SUPPLIED BY CUSTOMER.
- ④ - PLUG INSTALLED HAND TIGHT FROM FACTORY. IF PORT IS NOT UTILIZED, TIGHTEN BEFORE USE.



SEAL WEAR DETAIL  
 A (4:1)



OPERATING DATA		
MEDIA		THERMAL OIL
PRESSURE	MAXIMUM	6.9 bar
TEMPERATURE	MAXIMUM	232 °C
SPEED	MAXIMUM	400 min <sup>-1</sup>
DRY RUN		NO



PROJECTION:  SCALE: 1:1  
 MATERIAL: INTERFACE CONTROL DRAWING

DATE	NAME	TITLE
DRN. 08/28/14	N. Reyna	UNION TYPE C FIXED SIPHON HOT (A) OIL Rc PORTS R 1/2" RH ROTOR
ENGR. 08/28/14	L. Freed	
APPD.		

NO. BC-54000-08-20B  
 SHEET A2

ISSUE	MODIFICATION	ECO	DATE	NR	SIGN
A	NEEDLE THREAD CALLOUT	037102	03/16	NR	

UNLESS SPECIFICALLY TOLERANCED, ALL DIMENSIONS ARE CONSIDERED REFERENCE