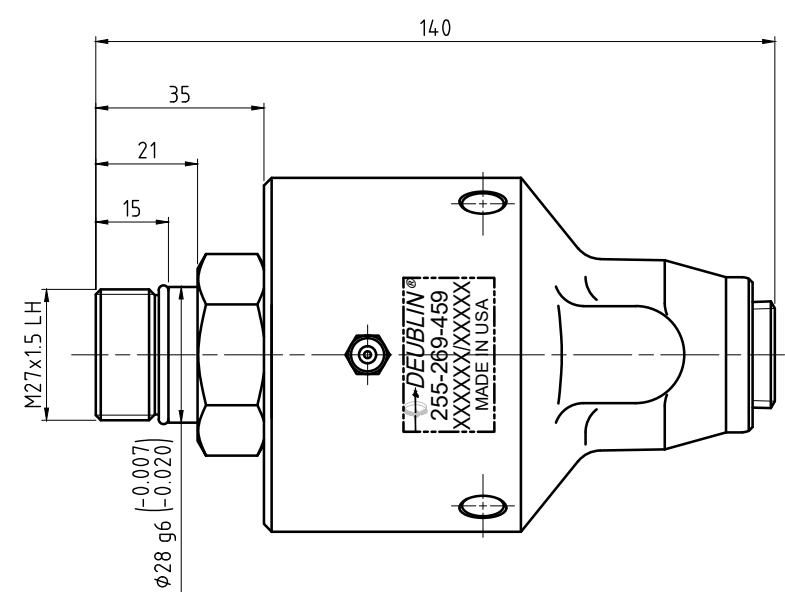
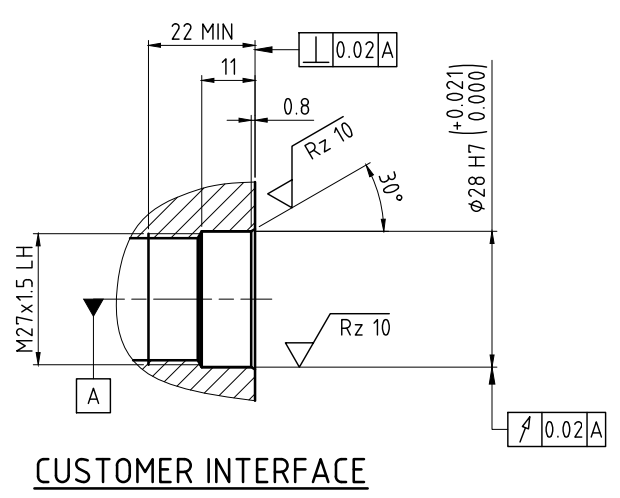
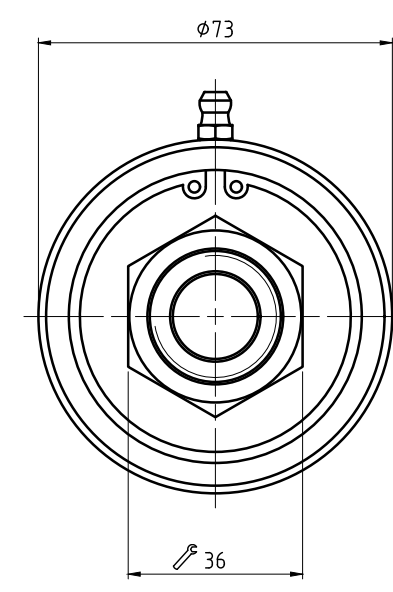
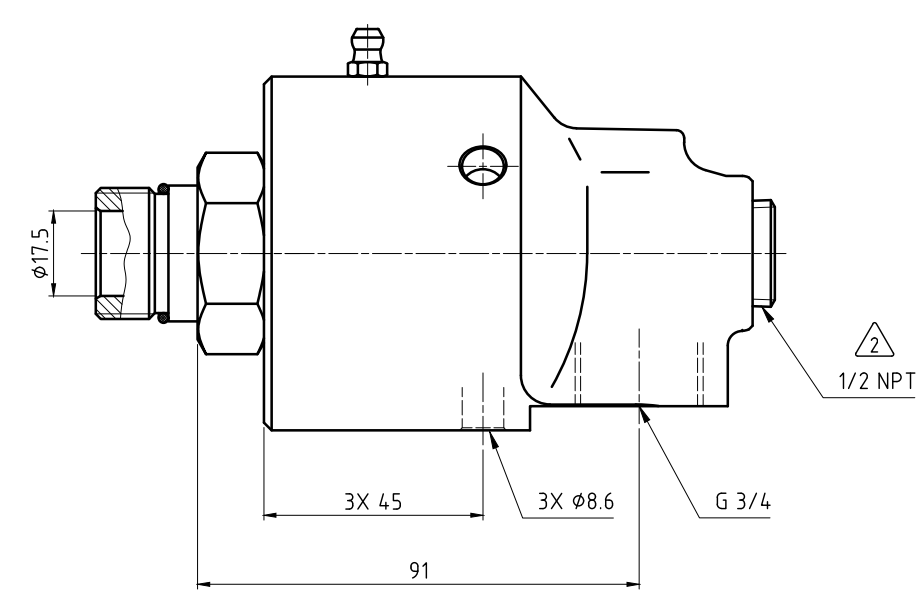
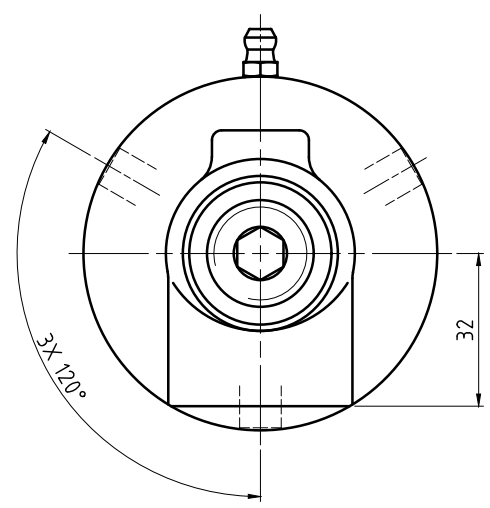


NOTES:
 1 - PLUG INSTALLED HAND TIGHT FROM FACTORY. IF PORT IS NOT UTILIZED,
 TIGHTEN BEFORE USE.



OPERATING DATA			
MEDIA	WATER	SATURATED STEAM (INTERMITTENT)	HOT OIL
PRESSURE MAX.	50 bar	1 bar	6.6 bar
SPEED MAX.	3500 min ⁻¹		
TEMPERATURE MAX.	120 °C		
DRY RUN (WITHOUT ANY MEDIA)	NO		

	PROJECTION:		SCALE: 1:1
	MATERIAL:		INTERFACE CONTROL DRAWING
	DATE	NAME	TITLE:
	DRN. 06/23/15	N. Reyna	DEUBLIN UNION
	ENGR. 06/23/15	T. Wilson	
	APPD.		
UNLESS SPECIFICALLY TOLERANCED, ALL DIMENSIONS ARE CONSIDERED REFERENCE			NO. 255-269-459
ISSUE	MODIFICATION	ECO	DATE
			SIGN
			SHEET A3