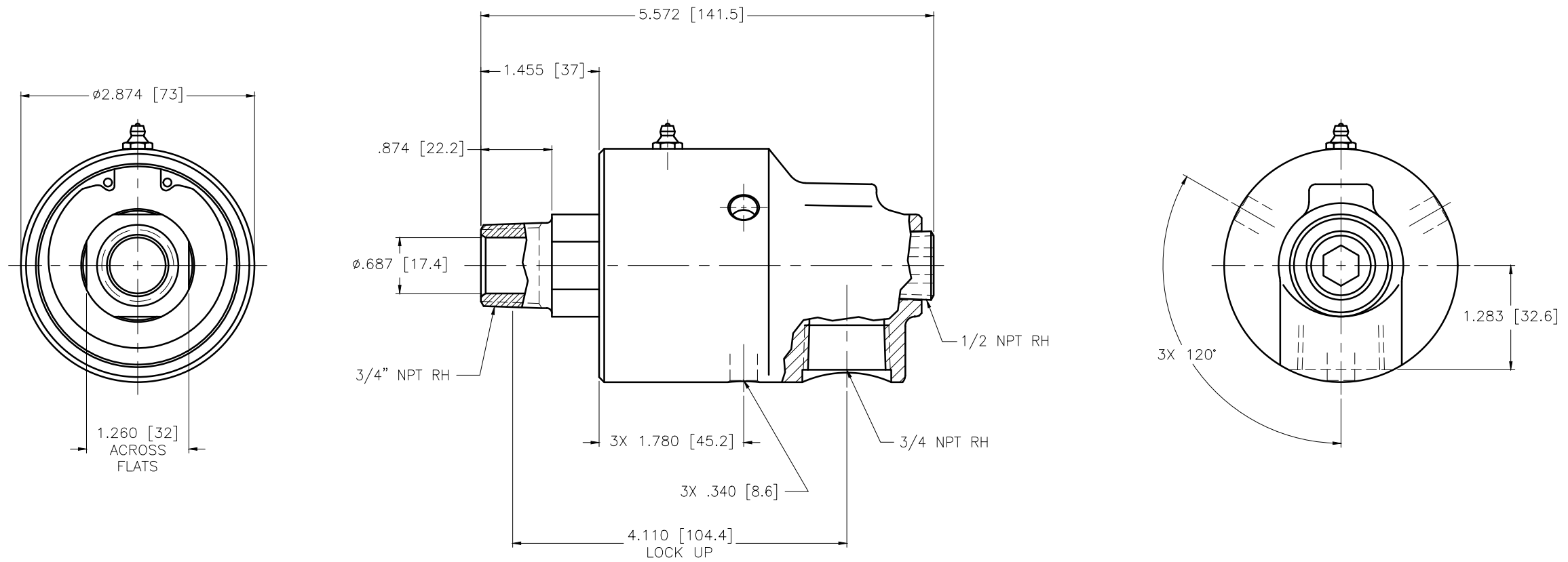


CONFIDENTIAL
 THIS DOCUMENT CONTAINS CONFIDENTIAL AND PROPRIETARY INFORMATION OF DEUBLIN COMPANY. COPYING, USE, TRANSMISSION, DISTRIBUTION, AND DISCLOSURE ARE SUBJECT TO THE TERMS AND CONDITIONS CONTAINED IN YOUR AGREEMENT WITH DEUBLIN COMPANY. ALL RIGHTS RESERVED.



OPERATING DATA

MEDIA	WATER		SATURATED STEAM		HOT OIL	
	750 PSI	50 bar	75 PSI	5 bar	100 PSI	6.5 bar
MAX PRESSURE	750 PSI	50 bar	75 PSI	5 bar	100 PSI	6.5 bar
MAX OPERATING TEMPERATURE	320°F	160°C	320°F	160°C	320°F	160°C
MAX SPEED	1000 RPM	1000/min	1000 RPM	1000/min	1000 RPM	1000/min
FILTRATION	60 μ m	60 μ m	60 μ m	60 μ m	60 μ m	60 μ m
DRY RUN (WITHOUT ANY MEDIA)	NO		NO		NO	
PRESSURES EXCEEDING 115 PSI ONLY PERMISSABLE WITH COLD WATER (120° F MAX.)						

SCALE	1 = 1	DWG SIZE	
DRN	NR	09/18/08	
ENGR	TW	09/18/08	
APPD	TW	09/18/08	
PART NO.	255-395-020		
CUSTOMER			
LET.	REVISION	ECO	DATE SIGN

UNLESS SPECIFICALLY TOLERANCED, ALL DIMENSIONS ARE REFERENCE
 DIMENSIONS IN [] ARE IN MILLIMETERS.

DEUBLIN COMPANY
 WAUKEGAN, ILLINOIS, U.S.A.

TITLE: INTERFACE CONTROL DRAWING OF DEUBLIN UNION 255-395-020
 DWG NO. 255-395-020
 C.A.D DRAWING