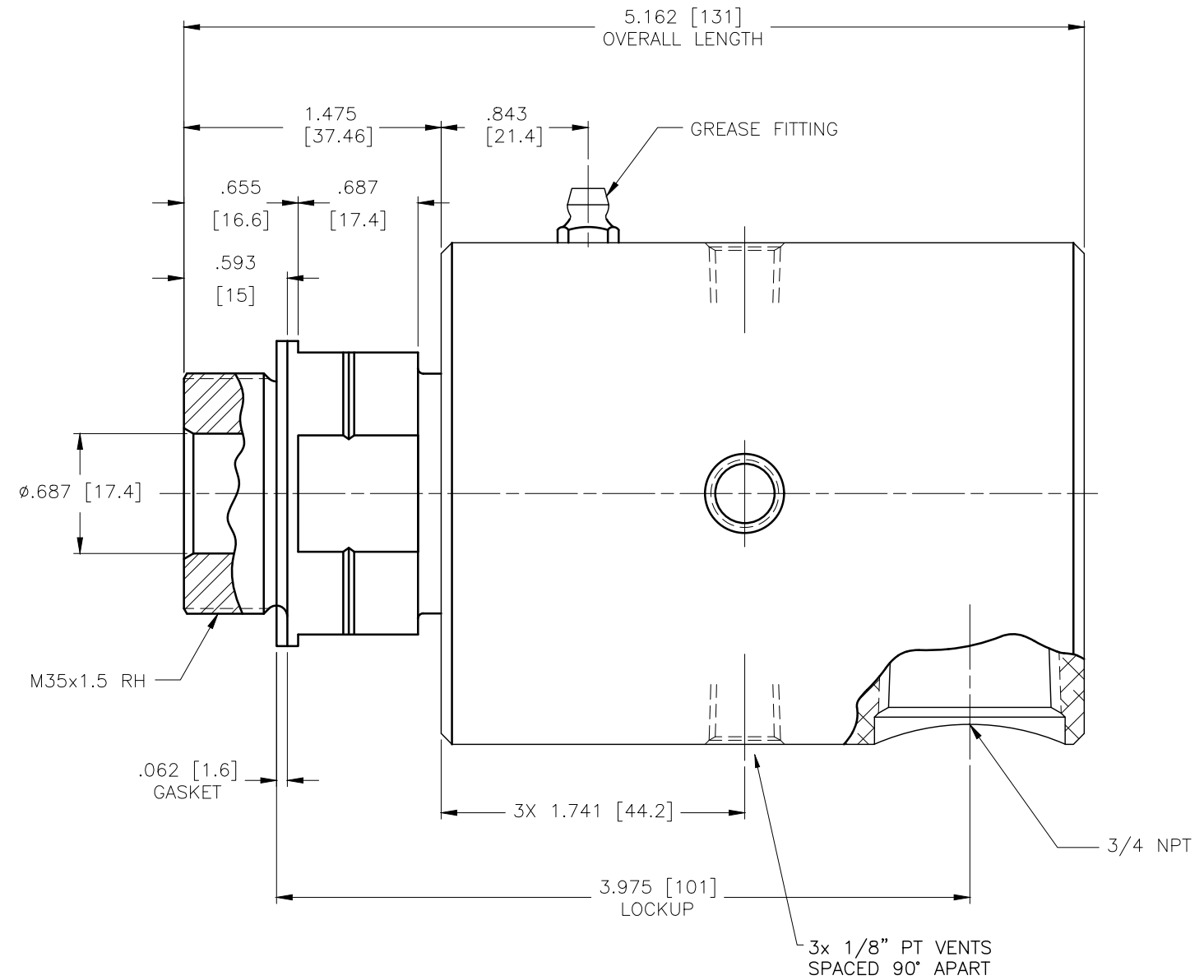
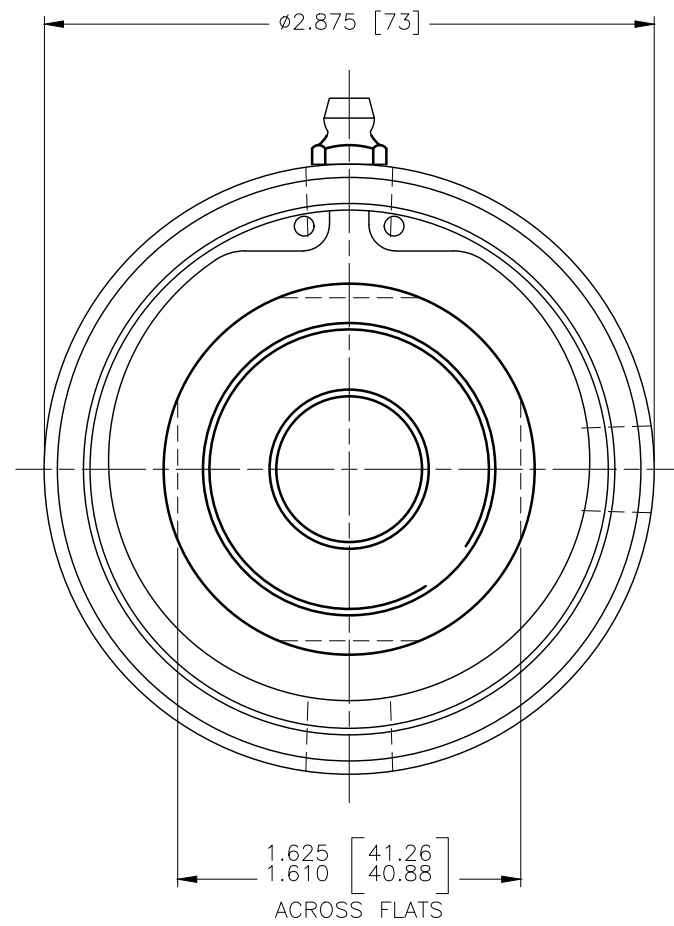


NOTES:
 1 - WHEN ORDERING UNION FROM DEUBLIN COMPANY, USE PART NUMBER 255-401-014.

255-401-014-IC



OPERATING DATA:

AIR-VACUUM-HYDRAULIC SERVICE
 150 P.S.I. (10 bar) MAX.AIR SERVICE
 28" Hg (6,7 KPa) MAX.VACUUM SERVICE
 1000 P.S.I. (68,9bar) MAX.HYDRAULIC SERVICE
 3500 R.P.M. (3500/MIN) MAX.SPEED
 250°F. (121°C.) MAX.TEMPATURE

CONFIDENTIAL
 THIS DOCUMENT CONTAINS CONFIDENTIAL AND PROPRIETARY INFORMATION OF DEUBLIN COMPANY. COPYING, USE, TRANSMISSION, DISTRIBUTION, AND DISCLOSURE ARE SUBJECT TO THE TERMS AND CONDITIONS CONTAINED IN YOUR AGREEMENT WITH DEUBLIN COMPANY. ALL RIGHTS RESERVED.

LET.	REVISION	ECO	DATE	SIGN

EQUIPMENT REF:
 ASSY/TEST FIXTURES REQUIRED:

SCALE 1.66:1 DWG SIZE C
 DRN LG 04/03/07
 ENGR SS 04/03/07
 APPD
 UNLESS SPECIFICALLY TOLERANCED, ALL DIMENSIONS ARE REFERENCE
 DIMENSIONS IN [] ARE IN MILLIMETERS.

DEUBLIN COMPANY
 WAUKEGAN, ILLINOIS, U.S.A.
 TITLE: INTERFACE CONTROL DRAWING FOR UNION 255-401-014
 NO. 255-401-014-IC C.A.D DRAWING