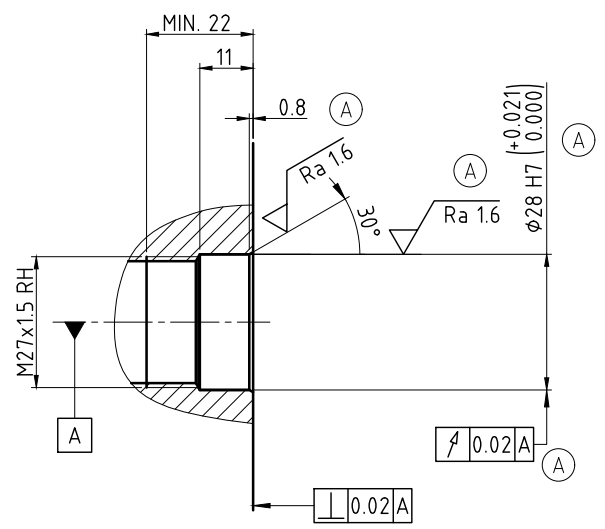
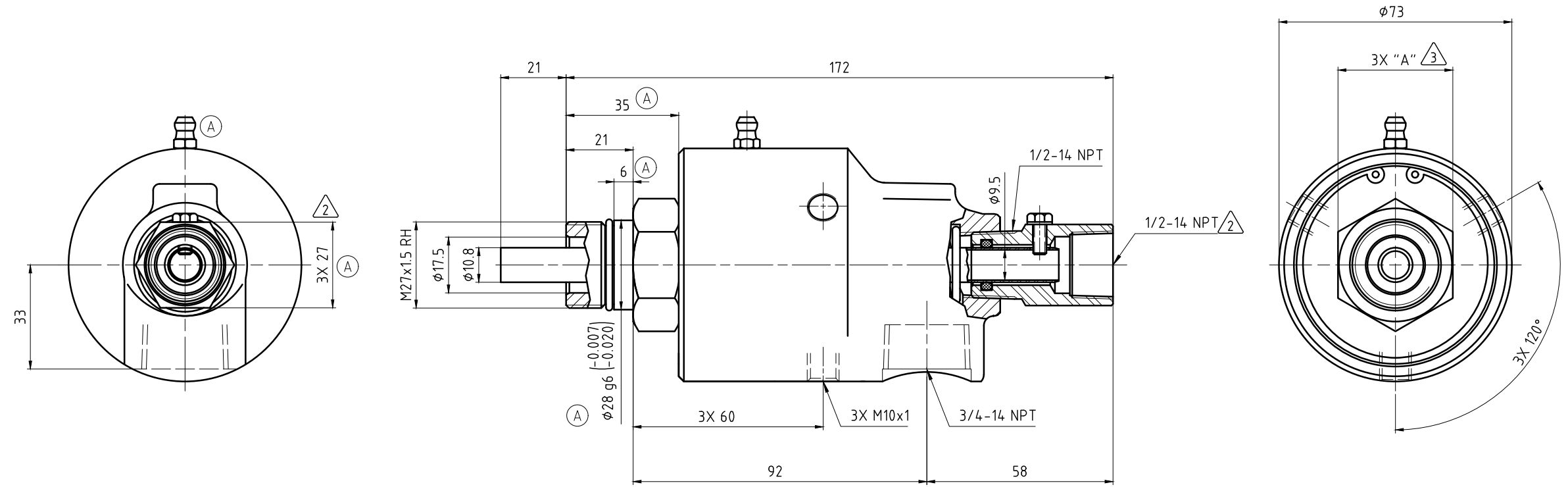
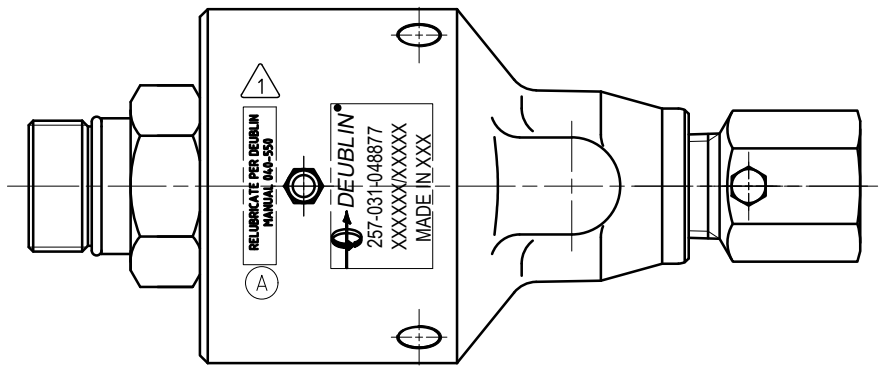


- NOTES:
- 1 - CONTACT DEUBLIN OR VISIT WWW.DEUBLIN.COM FOR INSTRUCTION MANUAL: 040-550
 - 2 - FITTING TO BE ASSEMBLED HAND-TIGHT, OR MAY BE SHIPPED UNASSEMBLED.
 - 3 - DEPENDING ON COUNTRY OF ORIGIN, HEX STOCK MAY VARY AS NOTED. SEE TABLE FOR ACCEPTABLE WRENCH SIZES.



CUSTOMER INTERFACE



OPERATING DATA			
MEDIA	WATER	SATURATED STEAM (INTERMITTENT)	THERMAL OIL
PRESSURE MAX.	50 bar	1 bar	6.6 bar
SPEED MAX.	3500 min ⁻¹		
TEMPERATURE MAX.	121 °C		
DRY RUN (WITHOUT ANY MEDIA)	NO		
RECOMMENDED FILTRATION	60 micron		

UNITS	HEX SIZES	WRENCHES	
	"A"	36mm	1 7/16"
METRIC [mm]	36-0.13	✓	☒
IMPERIAL [in]	1.438-0.006	✓	✓

DEUBLIN
 HOERBIGER Rotary Solutions

PROJECTION:	SCALE: 1:1	TITLE: DEUBLIN ROTATING UNION DEUBLIN Drehdurchführung
MATERIAL: INTERFACE CONTROL DRAWING	DRN. 02/16/11 N. Reyna ENGR. 02/16/11 T. Wilson APPD.	
NO. 257-031-048877		SHEET A2

UNLESS SPECIFICALLY TOLERANCED, ALL DIMENSIONS ARE CONSIDERED REFERENCE