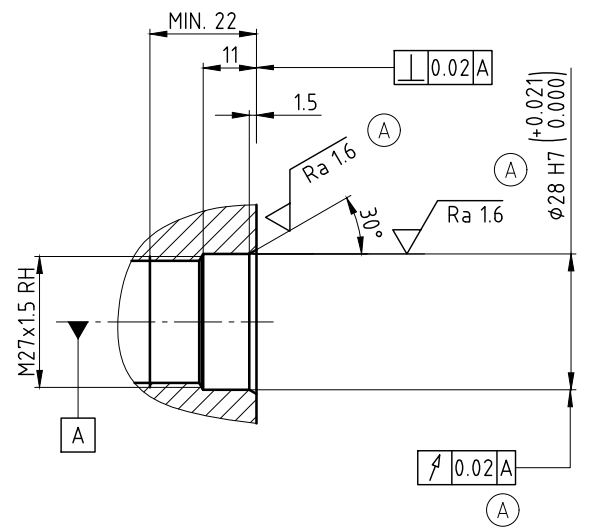
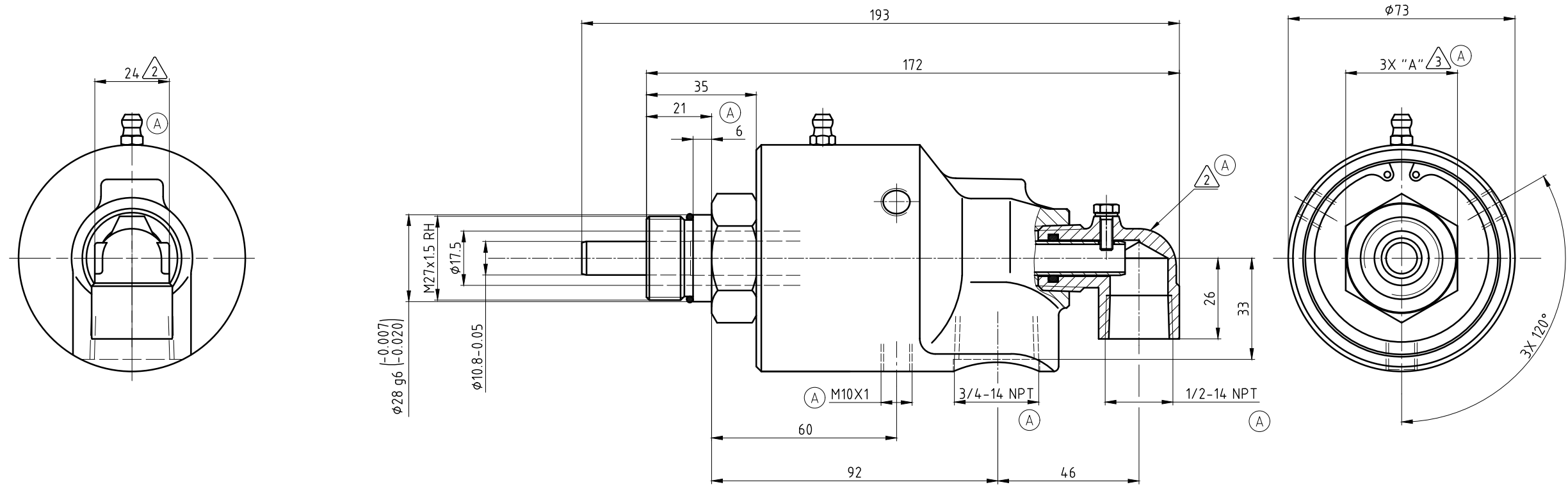
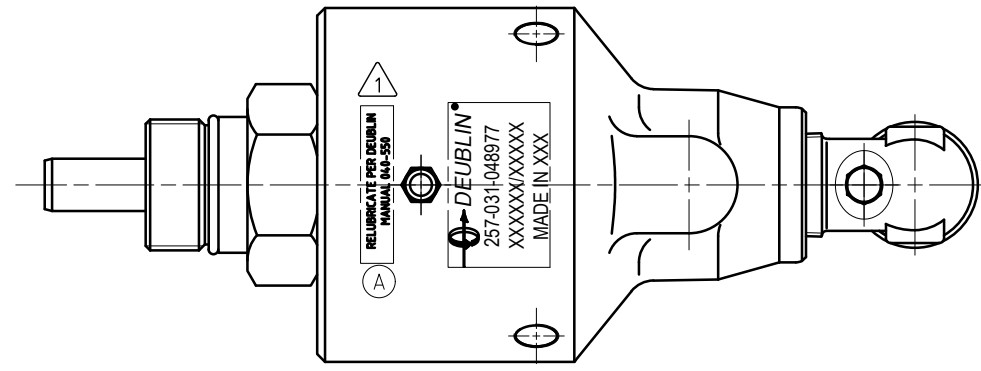


NOTES:

- ① - CONTACT DEUBLIN OR VISIT WWW.DEUBLIN.COM FOR INSTRUCTION MANUAL: 040-550
- ② - FITTING TO BE ASSEMBLED HAND-TIGHT, OR MAY BE SHIPPED UNASSEMBLED.
- ③ - DEPENDING ON COUNTRY OF ORIGIN, HEX STOCK MAY VARY AS NOTED. SEE TABLE FOR ACCEPTABLE WRENCH SIZES.

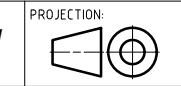


CUSTOMER'S INTERFACE



OPERATING DATA			
MEDIA	WATER	SATURATED STEAM (INTERMITTENT)	THERMAL OIL
PRESSURE MAX.	50 bar	1 bar	6.6 bar
SPEED MAX.	3500 min ⁻¹		
TEMPERATURE MAX.	121 °C		
DRY RUN (WITHOUT ANY MEDIA)	NO		
RECOMMENDED FILTRATION	60 micron		

③	HEX SIZES		WRENCHES	
	UNITS	"A"	36mm	1 7/16"
	METRIC [mm]	36-0.13	✓	☒
	IMPERIAL [in]	1.438-0.006	✓	✓



PROJECTION:	SCALE: 1:1
MATERIAL:	INTERFACE CONTROL DRAWING
DATE	NAME
DRN. 25.09.2009	CW
ENGR. 25.09.2009	HJH
APPD.	
TITLE:	DEUBLIN ROTATING UNION DEUBLIN Drehdurchführung
NO.	257-031-048977
SHEET	A2

A	SEC CD	60724	07/21	MZe
ISSUE	MODIFICATION	ECO	DATE	SIGN

UNLESS SPECIFICALLY TOLERANCED, ALL DIMENSIONS ARE CONSIDERED REFERENCE