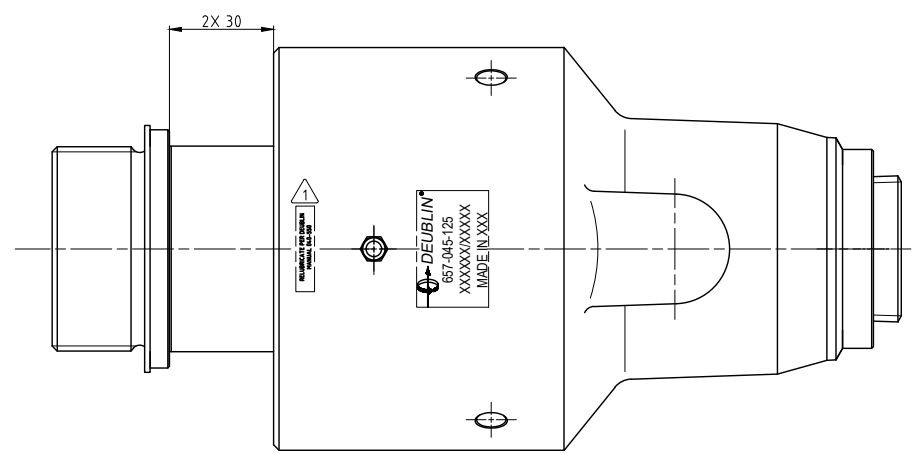
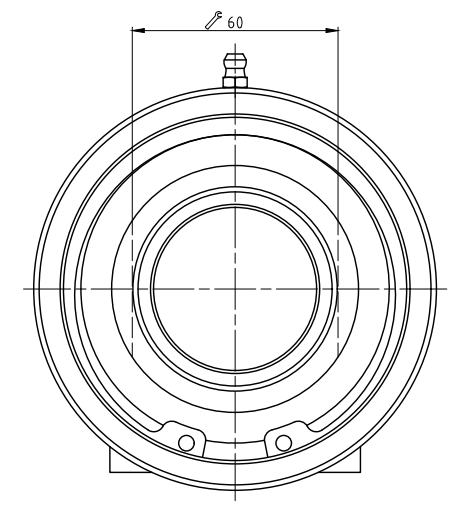
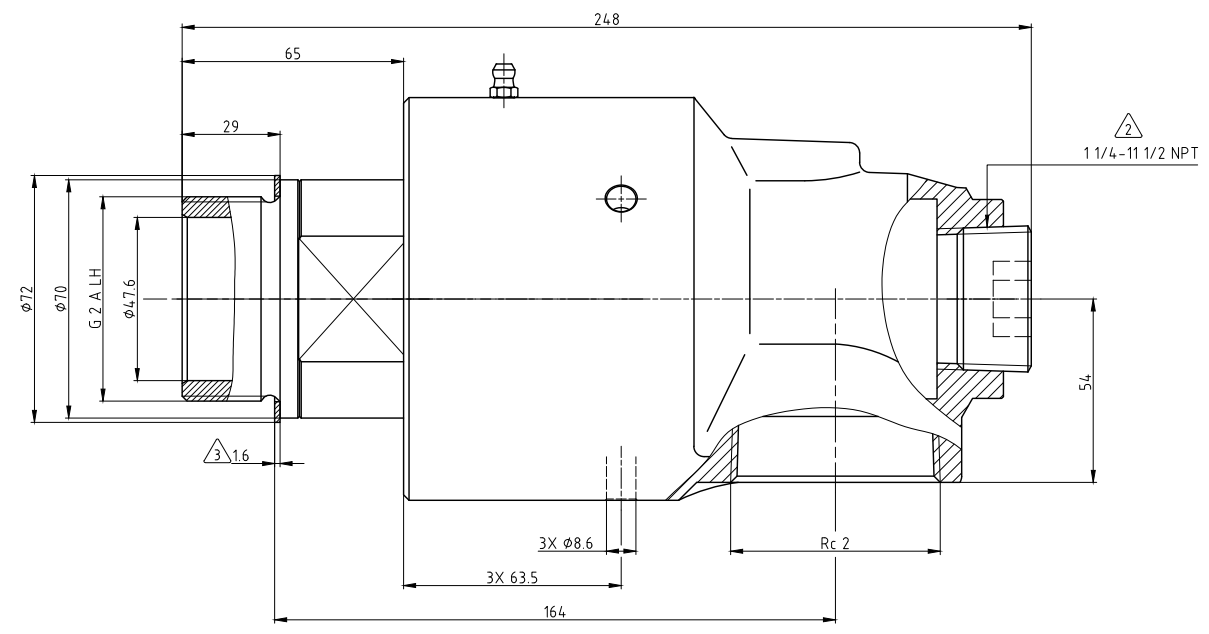
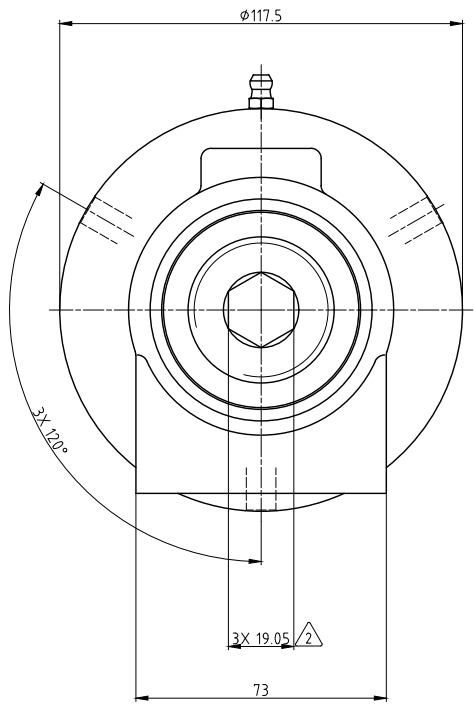


NOTES:
 1 - CONTACT DEUBLIN OR VISIT WWW.DEUBLIN.COM FOR INSTRUCTION MANUAL: 040-550

2 - PLUG INSTALLED HAND TIGHT FROM FACTORY. IF PORT IS NOT UTILIZED, TIGHTEN BEFORE USE.
 3 - GASKET THICKNESS.



| OPERATING DATA | | | |
|-----------------------------|-----------------------|--------------------------------|-------------|
| MEDIA | WATER | SATURATED STEAM (INTERMITTENT) | THERMAL OIL |
| PRESSURE MAX. | 20 bar | 1 bar | 6.6 bar |
| SPEED MAX. | 750 min ⁻¹ | | |
| TEMPERATURE MAX. | 121 °C | | |
| DRY RUN (WITHOUT ANY MEDIA) | NO | | |
| RECOMMENDED FILTRATION | 60 micron | | |

| | | | | | |
|-------|--------------|------------|-------|------------|---|
| | PROJECTION | SCALE: 1:1 | | MATERIAL: | INTERFACE CONTROL DRAWING |
| | DATE | NAME | | TITLE: | DEUBLIN ROTATING UNION DEUBLIN Drehdurchführung |
| DRN | 06.12.2022 | MZe | ENGR | 06.12.2022 | RMika |
| APPD. | | | | | |
| NO. | 657-045-125 | | | | SHEET |
| A | UPDATE TO | 63072 | 12/22 | MZe | UNLESS SPECIFICALLY TOLERANCED, ALL DIMENSIONS ARE CONSIDERED REFERENCE |
| ISSUE | MODIFICATION | ECO | DATE | SIGN | |