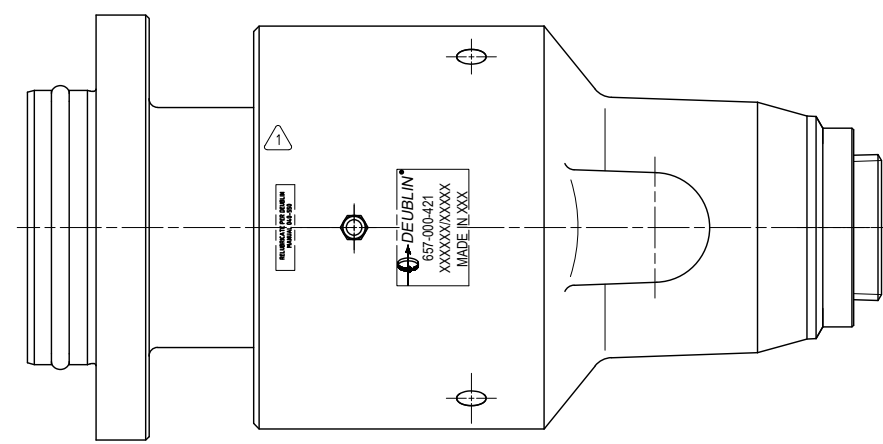
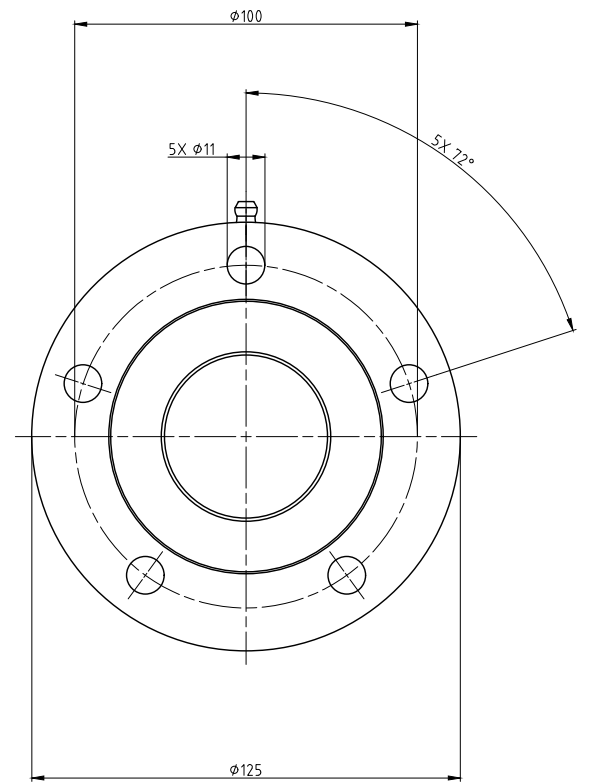
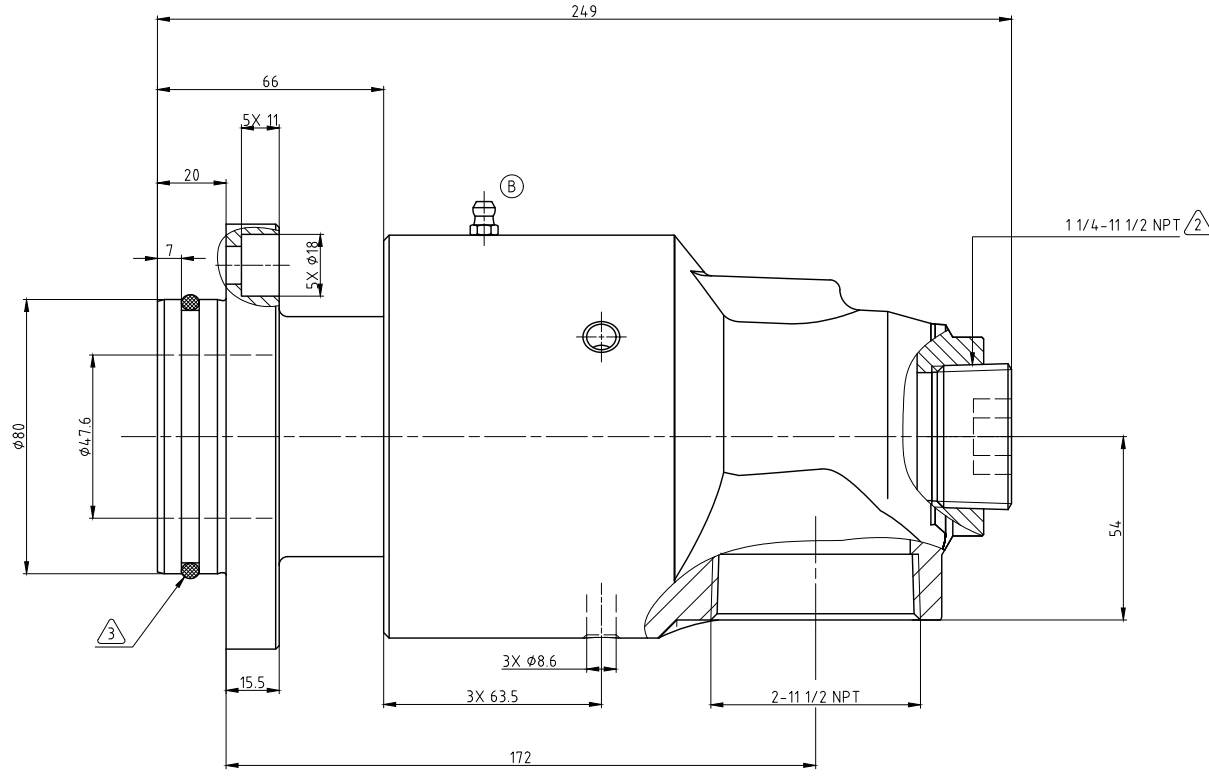
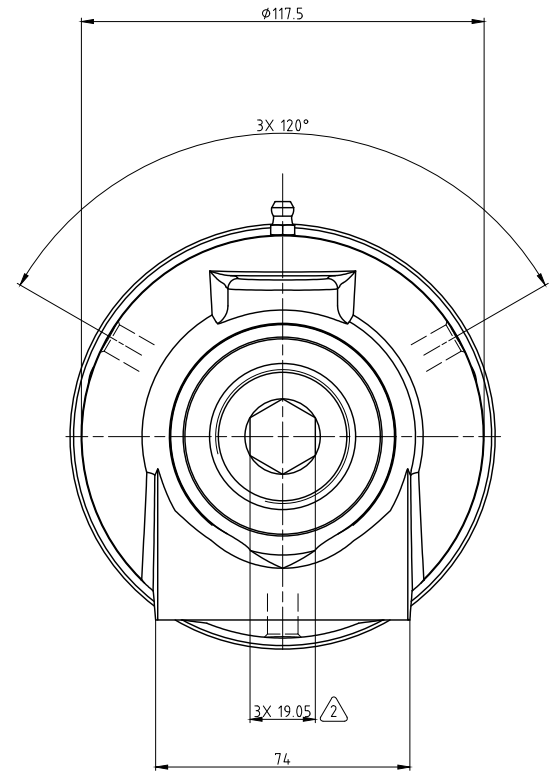


- NOTES:
- 1 - CONTACT DEUBLIN OR VISIT WWW.DEUBLIN.COM FOR INSTRUCTION MANUAL: 040-550
 - 2 - PLUG INSTALLED HAND TIGHT FROM FACTORY. IF PORT IS NOT UTILIZED, TIGHTEN BEFORE USE.
 - 3 - O-RING: Ø73.0 x Ø4 FKM 75 DUROMETER.



OPERATING DATA			
MEDIA	WATER	SATURATED STEAM (INTERMITTENT)	THERMAL OIL
PRESSURE MAX.	20 bar	1 bar	6.6 bar
SPEED MAX.	750 min ⁻¹		
TEMPERATURE MAX.	121 °C		
DRY RUN (WITHOUT ANY MEDIA)	NO		
(A) RECOMMENDED FILTRATION	60 micron		

		PROJECTION:	SCALE: 1:1
MATERIAL: INTERFACE CONTROL DRAWING		DATE: 06.12.2022	NAME: MSL
TITLE: DEUBLIN ROTATING UNION		ENGR: 06.12.2022	RMika
TITLE: DEUBLIN Drehdurchführung		APPD:	
NO. 657-000-421		ISSUE/	SHEET
UNLESS SPECIFICALLY TOLERANCED, ALL DIMENSIONS ARE CONSIDERED REFERENCE		ECO	A1