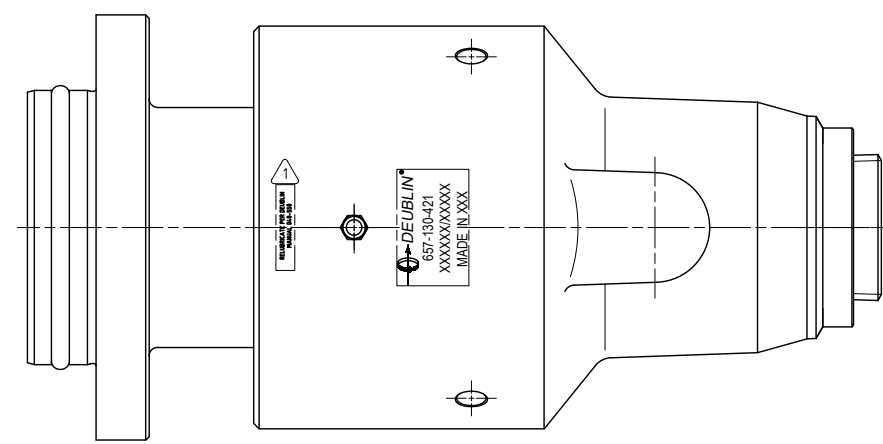
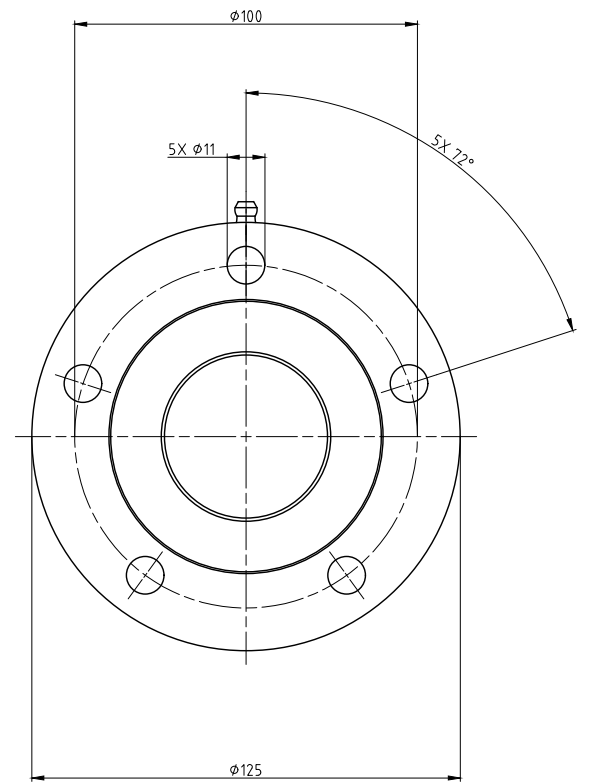
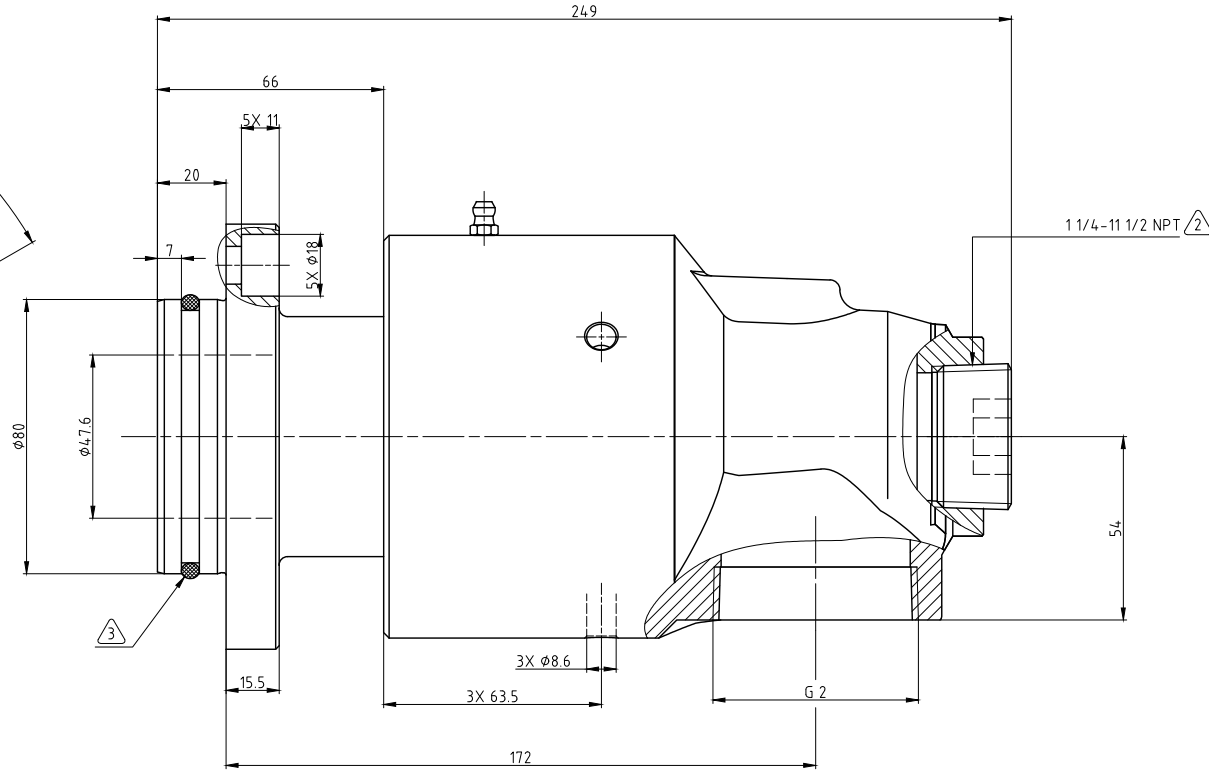
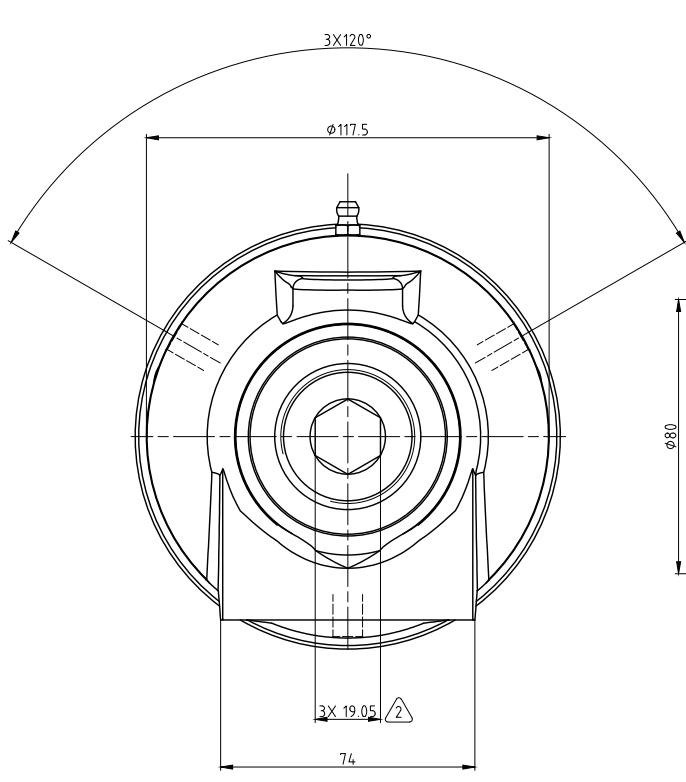


NOTES:
 1 - CONTACT DEUBLIN OR VISIT WWW.DEUBLIN.COM
 FOR INSTRUCTION MANUAL: 040-550

2 - PLUG INSTALLED HAND TIGHT FROM FACTORY. IF PORT IS NOT UTILIZED,
 TIGHTEN BEFORE USE.

3 - O-RING: Ø73.0 x Ø4 FKM 75 DUROMETER.



OPERATING DATA			
MEDIA	WATER	SATURATED STEAM (INTERMITTENT)	THERMAL OIL
PRESSURE MAX.	20 bar	1 bar	6.6 bar
SPEED MAX.	750 min ⁻¹		
TEMPERATURE MAX.	121 °C		
DRY RUN (WITHOUT ANY MEDIA)	NO		
RECOMMENDED FILTRATION	60 micron		

	PROJECTION	SCALE: 1:1	SHEET A2
	MATERIAL	INTERFACE CONTROL DRAWING	
	TITLE	DEUBLIN ROTATING UNION DEUBLIN Drehdurchführung	
	NO.	657-130-421	
DRN	06.12.2022	NAME	MZe
ENGR	06.12.2022	RMika	
APPD.			
UNLESS SPECIFICALLY TOLERANCED, ALL DIMENSIONS ARE CONSIDERED REFERENCE			
ISSUE/MODIFICATION	ECO	DATE	SIGN