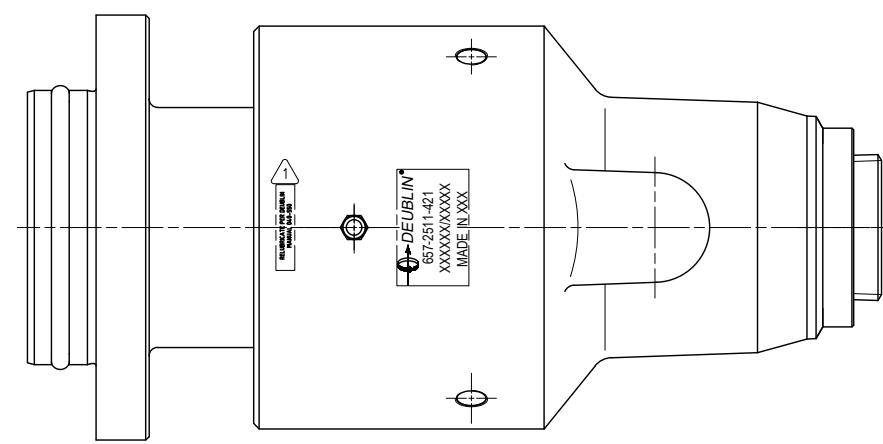
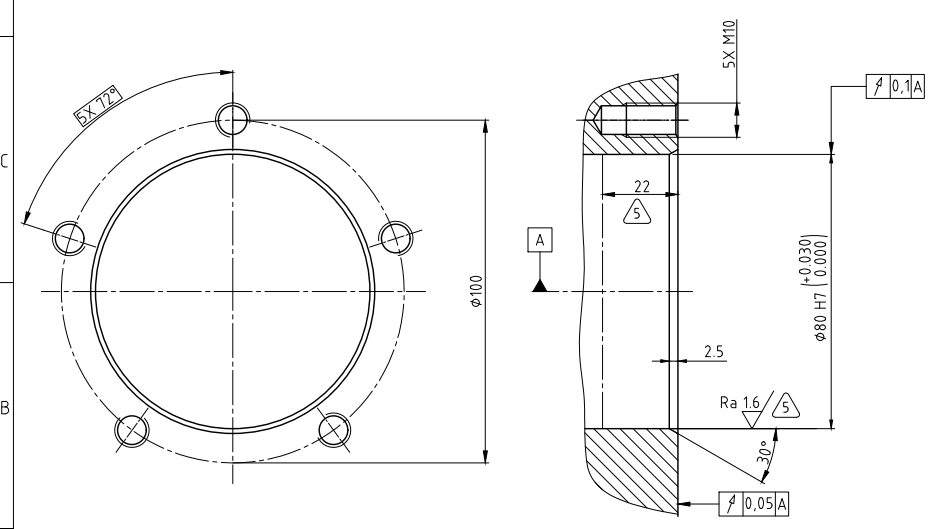
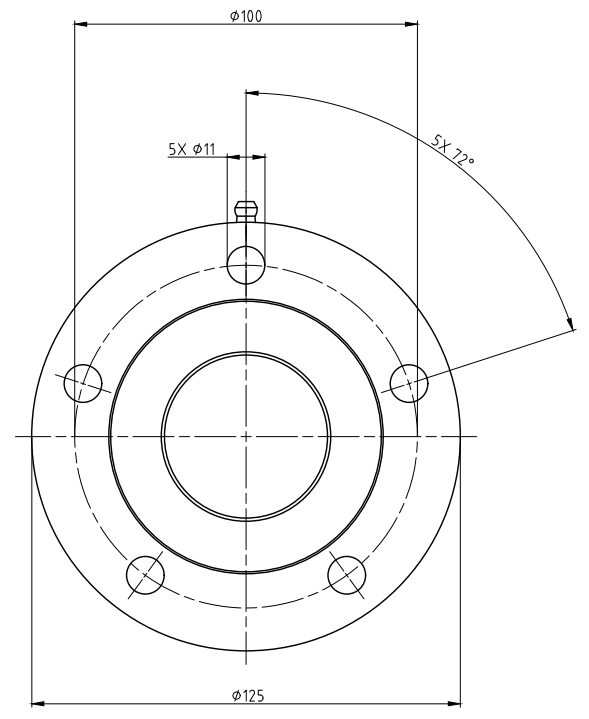
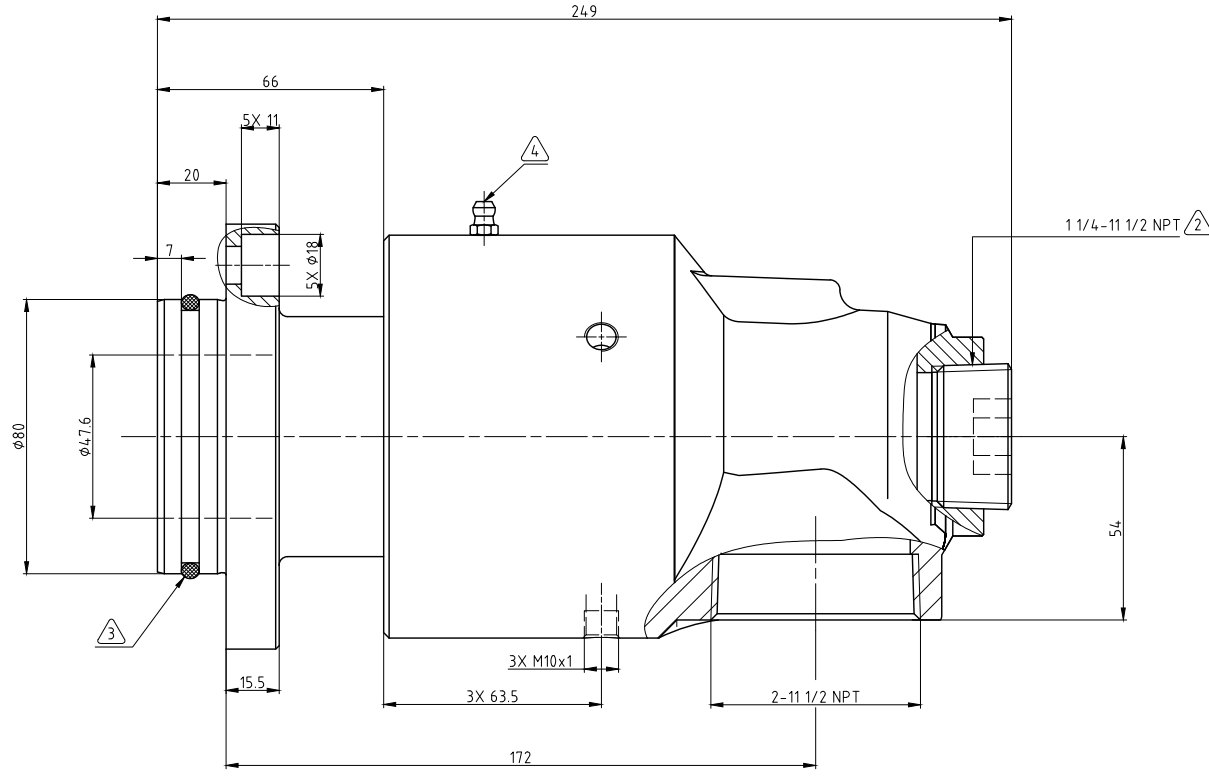
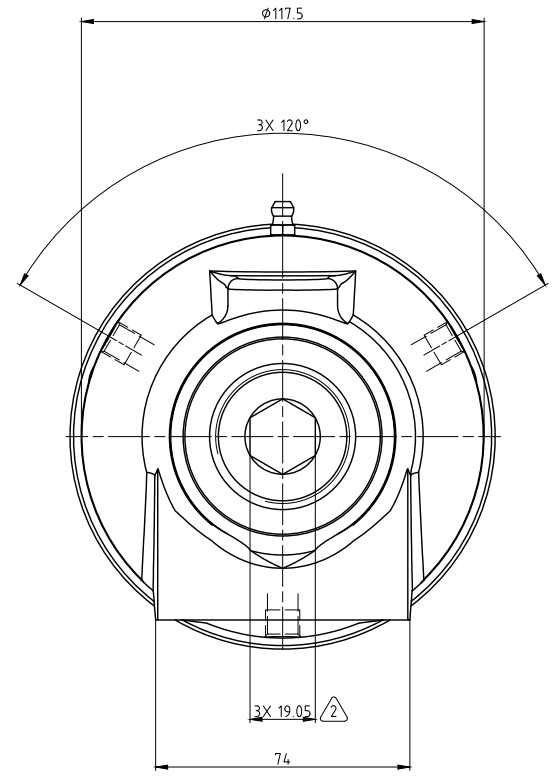


- NOTES:
- 1 - CONTACT DEUBLIN OR VISIT WWW.DEUBLIN.COM FOR INSTRUCTION MANUAL: 040-550
 - 2 - PLUG INSTALLED HAND TIGHT FROM FACTORY. IF PORT IS NOT UTILIZED, TIGHTEN BEFORE USE.
 - 3 - O-RING: Ø73.0 x Ø4 FKM 75 DUROMETER.
 - 4 - RELUBRICATE UNION PER ENGINEERING INSTRUCTION 030-804.
 - 5 - SURFACE FINISH APPLIES WITHIN INDICATED AREA ONLY.



© CUSTOMER'S INTERFACE

| OPERATING DATA | |
|-----------------------------|-----------------------|
| MEDIA | THERMAL OIL |
| PRESSURE MAX. | 6.6 bar |
| SPEED MAX. | 750 min ⁻¹ |
| TEMPERATURE MAX. | 160 °C |
| DRY RUN (WITHOUT ANY MEDIA) | NO |
| RECOMMENDED FILTRATION | 60 micron |

| | | | |
|------------|------|-------------|--|
| | | PROJECTION: | SCALE: 1:1 |
| | | MATERIAL: | INTERFACE CONTROL DRAWING |
| | | TITLE: | DEUBLIN ROTATING UNION DEUBLIN Drehdurchführung |
| | | NO.: | 657-2511-421 |
| | | SHEET A1 | |
| DATE | NAME | DATE | NAME |
| 06.12.2022 | MZe | 06.12.2022 | RMika |
| DATE | SIGN | DATE | SIGN |
| 06.12.2022 | MZe | 06.12.2022 | RMika |