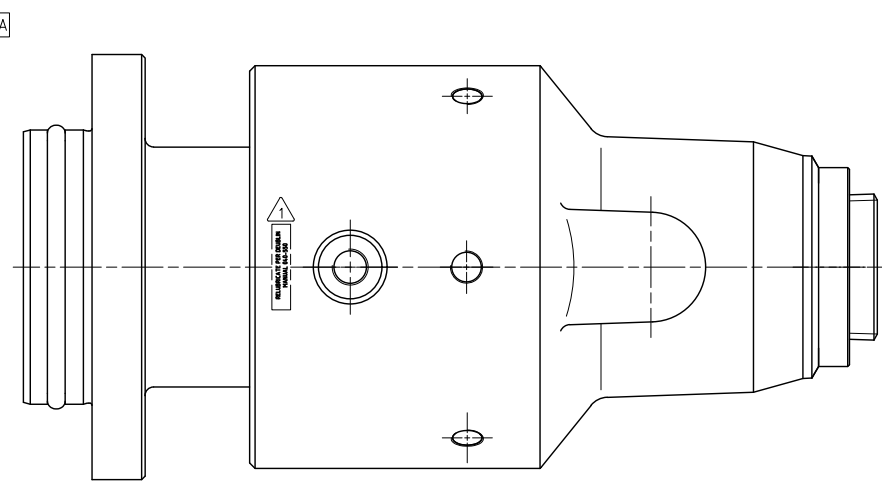
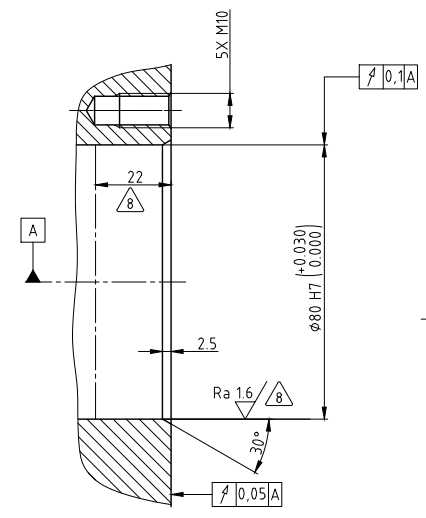
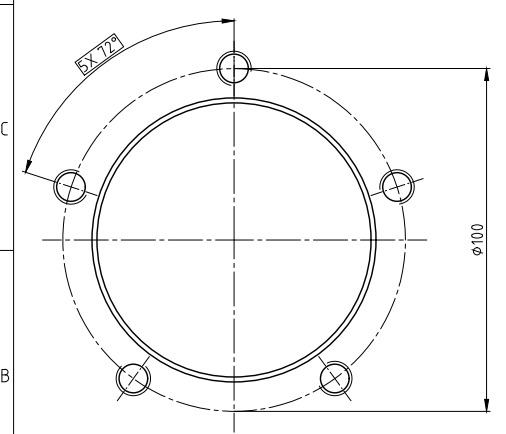
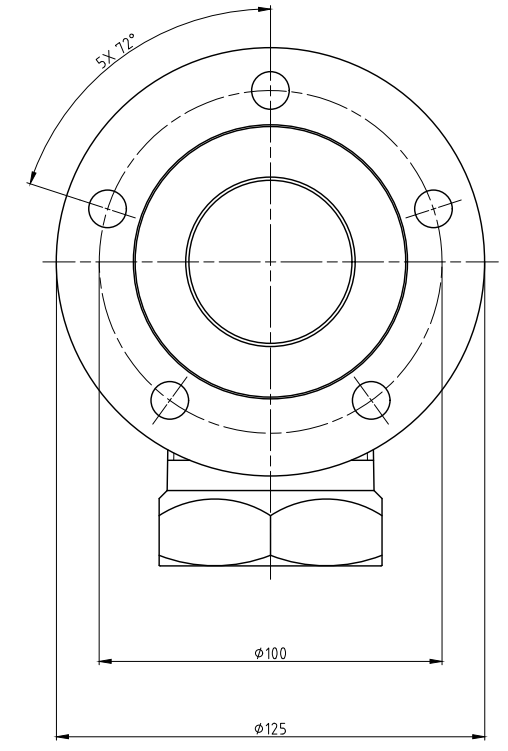
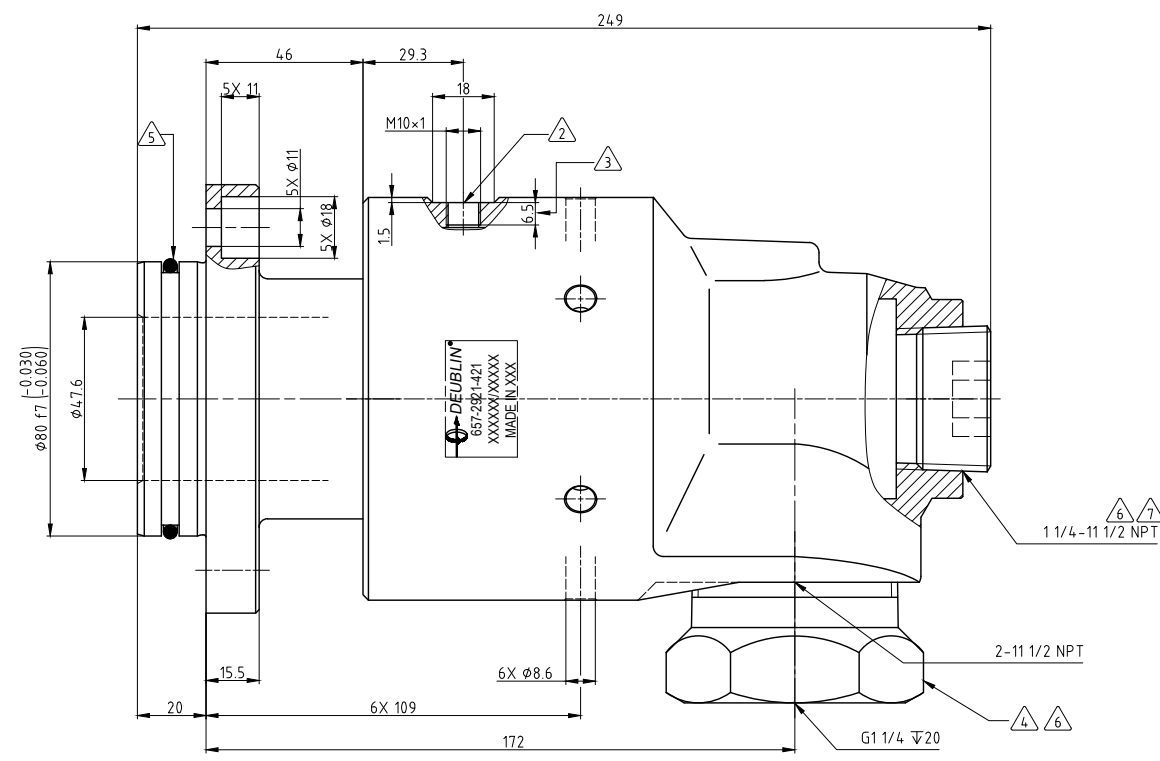
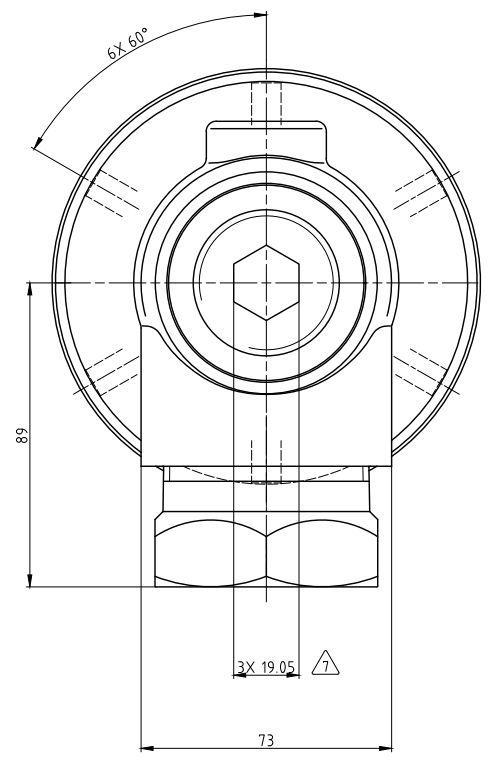


- NOTES:
- ① - CONTACT DEUBLIN OR VISIT WWW.DEUBLIN.COM FOR INSTRUCTION MANUAL: 040-550
 - ② - BEARINGS GREASED WITH KLÜBER PETAMO GHY 441.
 - ③ - MAX THREAD DEPTH.
 - ④ - ADAPTER 65 HEX. LOOSELY ENCLOSED.
 - ⑤ - O-RING: Ø73.0 x Ø4 FKM 75 DUROMETER.
 - ⑥ - SEALING OF LOOSELY ENCLOSED ADAPTER ACCORDING 033-9009 INSTRUCTION.
 - ⑦ - PLUG INSTALLED HAND TIGHT FROM FACTORY. IF PORT IS NOT UTILIZED, TIGHTEN BEFORE USE.
 - ⑧ - SURFACE FINISH APPLIES WITHIN INDICATED AREA ONLY.



CUSTOMER'S INTERFACE

OPERATING DATA	
MEDIA	THERMAL OIL
PRESSURE MAX.	① 6.6 bar
SPEED MAX.	750 min ⁻¹
TEMPERATURE MAX.	160 °C
DRY RUN (WITHOUT ANY MEDIA)	NO
RECOMMENDED FILTRATION	60 micron

	PROJECTION:	SCALE: 1:1	MATERIAL: INTERFACE CONTROL DRAWING TITLE: DEUBLIN ROTATING UNION DEUBLIN Drehdurchführung
	DATE: 07.12.2022	NAME: MZe	
DRN: 07.12.2022	ENGR: RMika	NO: 657-2921-421	SHEET A1
APPD:			
ISSUE/MODIFICATION	ECD	DATE	SIGN

UNLESS SPECIFICALLY TOLERANCED, ALL DIMENSIONS ARE CONSIDERED REFERENCE