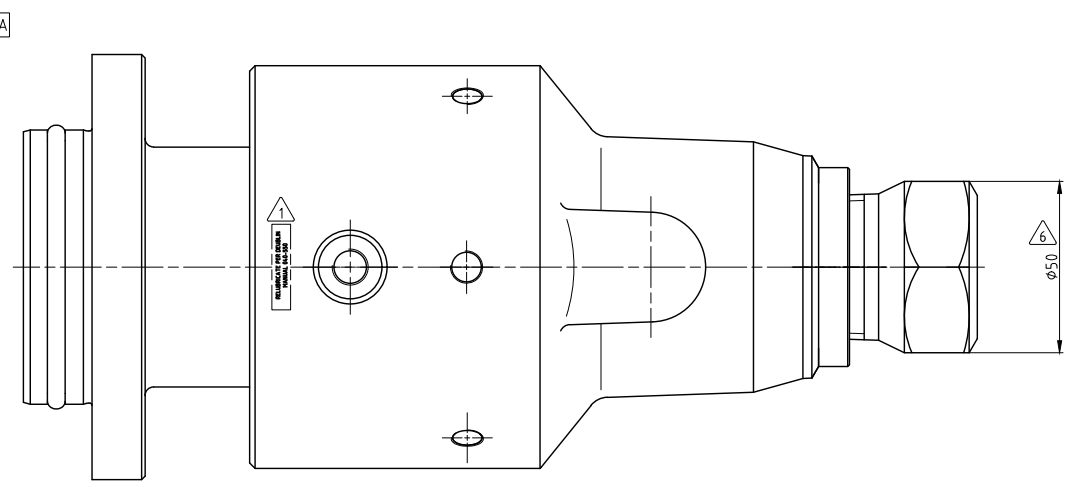
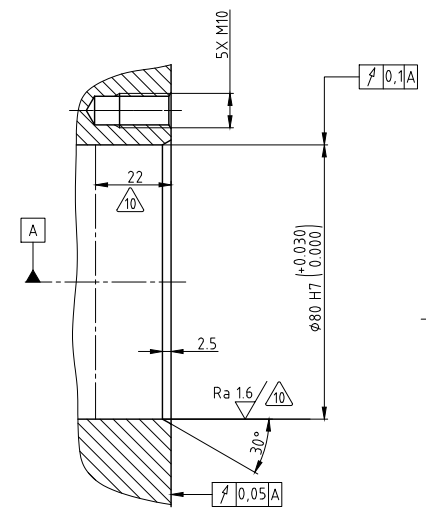
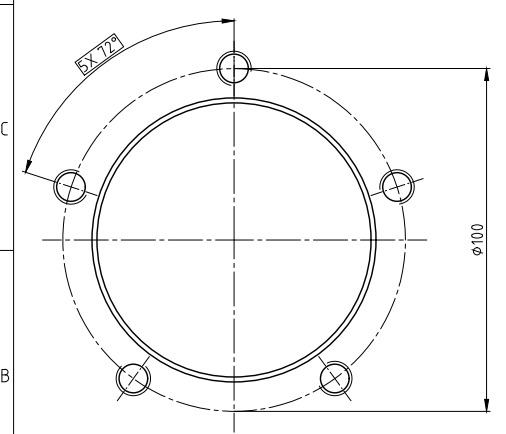
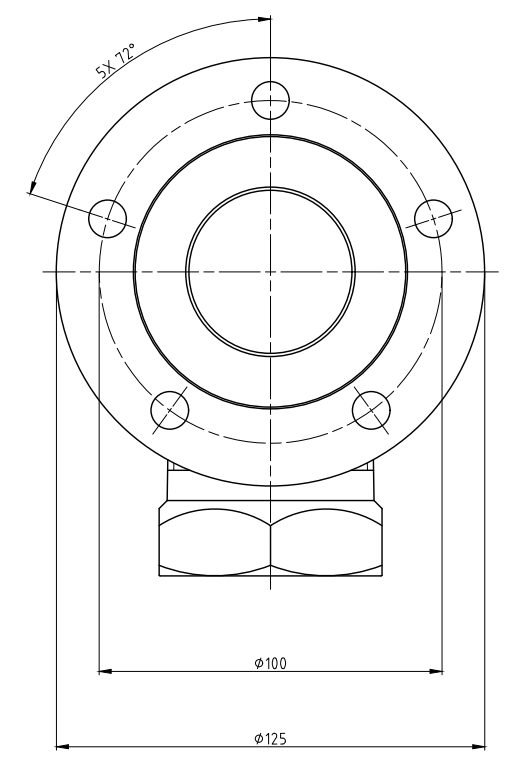
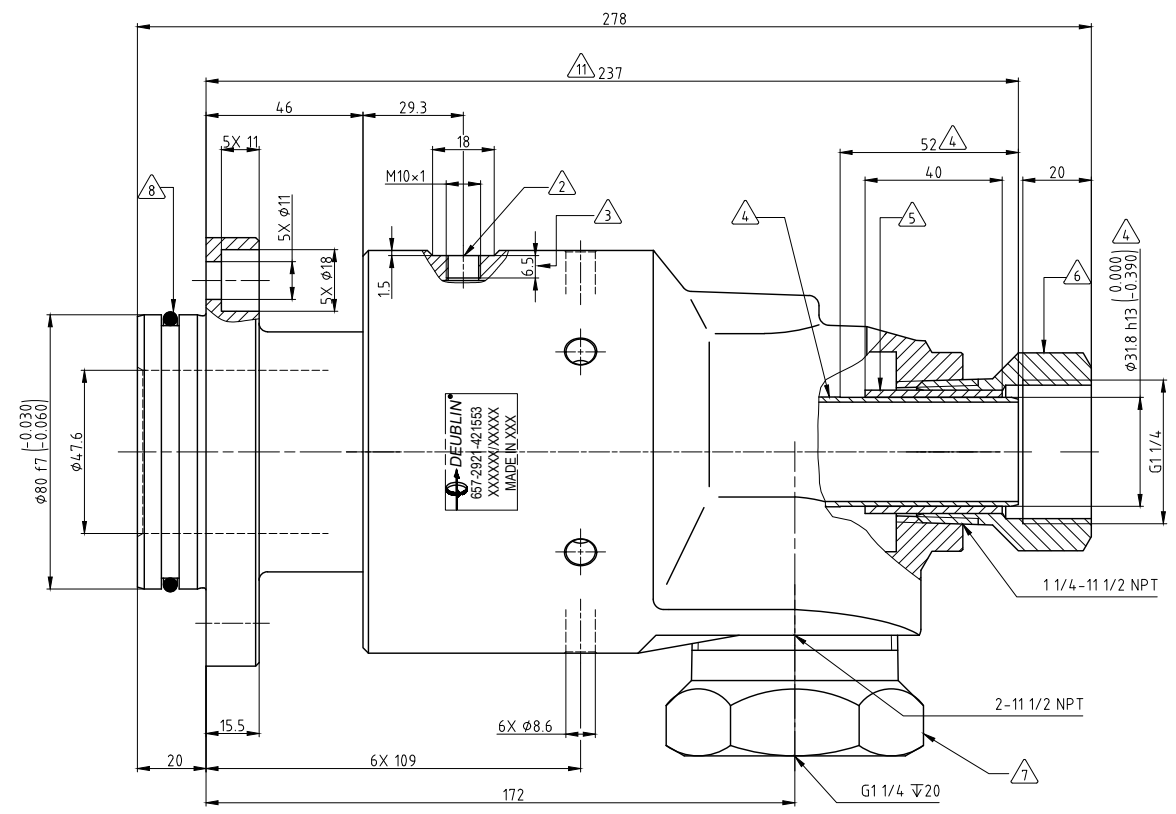
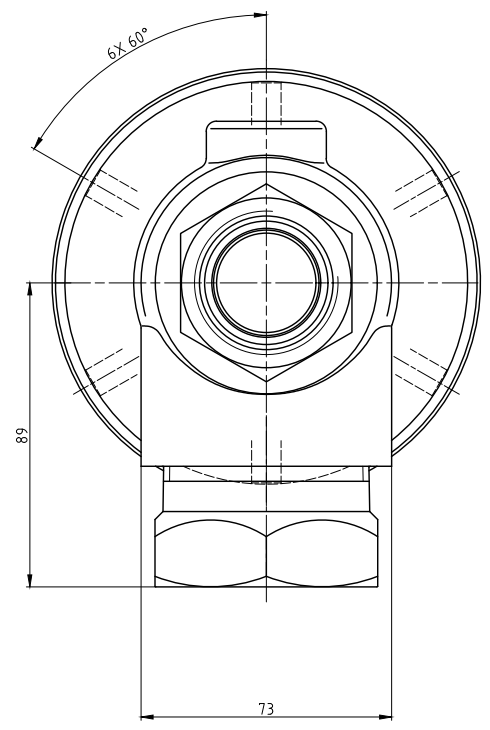


- NOTES:
- 1 - CONTACT DEUBLIN OR VISIT WWW.DEUBLIN.COM FOR INSTRUCTION MANUAL: 040-550
  - 2 - BEARINGS GREASED WITH KLÜBER PETAMO GHY 441
  - 3 - MAX. THREAD DEPTH
  - 4 - SIPHONPIPE SUPPLIED BY CUSTOMER
  - 5 - DU-BUSHING
  - 6 - DUO-ADAPTER 50 HEX. LOOSELY ENCLOSED
  - 7 - ADAPTER 65 HEX. LOOSELY ENCLOSED
  - 8 - O-RING: Ø73.0 x Ø4 FKM 75 DUROMETER.
  - 9 - SEALING OF LOOSELY ENCLOSED ADAPTERS ACCORDING INSTRUCTION 033-9009
  - 10 - SURFACE FINISH APPLIES WITHIN INDICATED AREA ONLY.
  - 11 - PIPE LENGTH.



CUSTOMER'S INTERFACE

OPERATING DATA	
MEDIA	THERMAL OIL
PRESSURE MAX.	(A) 6.6 bar
SPEED MAX.	750 min <sup>-1</sup>
TEMPERATURE MAX.	160 °C
DRY RUN (WITHOUT ANY MEDIA)	NO
RECOMMENDED FILTRATION	60 micron

	PROJECTION:	SCALE: 1:1	MATERIAL:	INTERFACE CONTROL DRAWING
	DATE: 07.12.2022	NAME: MZe	TITLE:	DEUBLIN ROTATING UNION
DRN: 07.12.2022	ENGR: RMika	APPD:	DEUBLIN Drehdurchführung	
NO. 657-2921-421553			SHEET A1	
UNLESS SPECIFICALLY TOLERANCED, ALL DIMENSIONS ARE CONSIDERED REFERENCE				