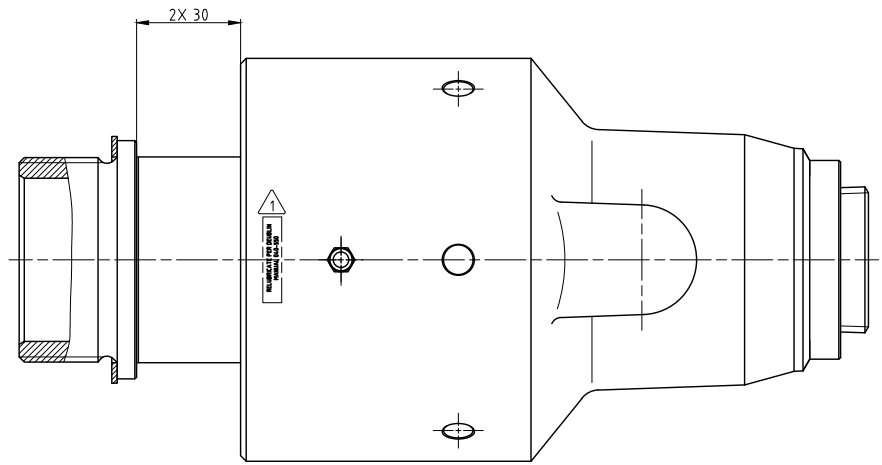
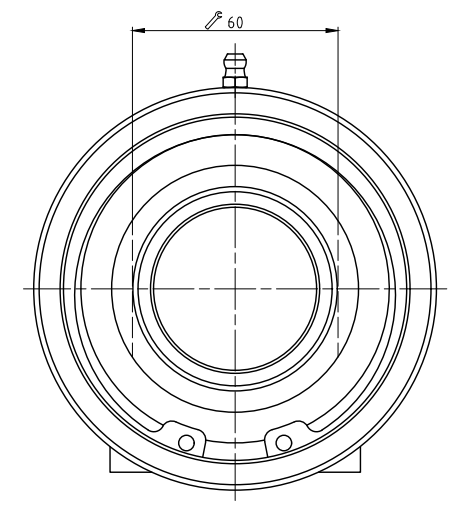
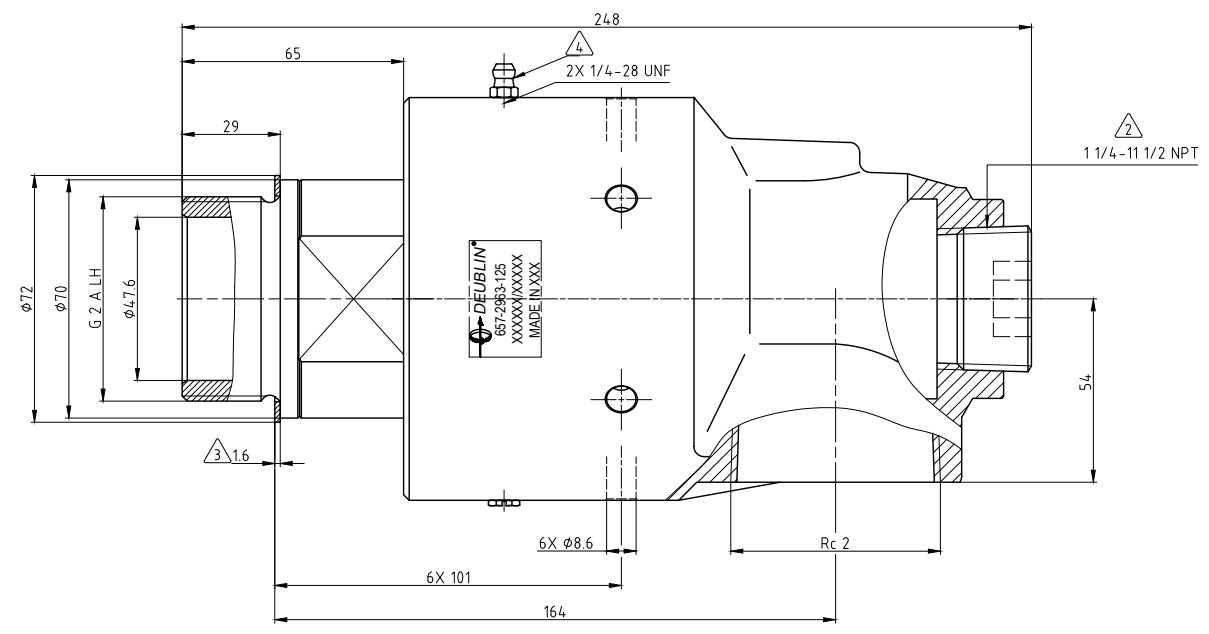
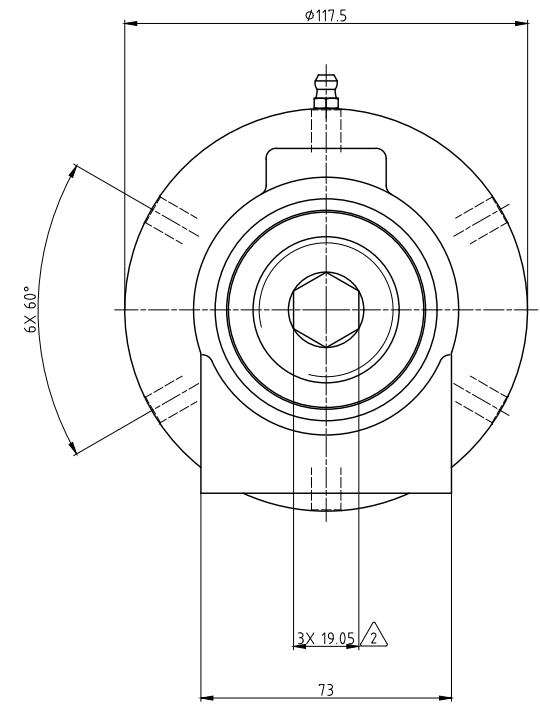


- NOTES:
- ① - CONTACT DEUBLIN OR VISIT WWW.DEUBLIN.COM FOR INSTRUCTION MANUAL: 040-550
 - ② - PLUG INSTALLED HAND TIGHT FROM FACTORY. IF PORT IS NOT UTILIZED, TIGHTEN BEFORE USE.
 - ③ - GASKET THICKNESS.
 - ④ - RELUBRICATE UNION PER ENGINEERING INSTRUCTION 030-804.



OPERATING DATA	
MEDIA	THERMAL OIL
PRESSURE MAX.	6.6 bar
SPEED MAX.	750 min ⁻¹
TEMPERATURE MAX.	160 °C
DRY RUN (WITHOUT ANY MEDIA)	NO
RECOMMENDED FILTRATION	60 micron

	PROJECTION:	SCALE: 1:1	SHEET A2
	MATERIAL: INTERFACE CONTROL DRAWING	TITLE: DEUBLIN ROTATING UNION DEUBLIN Drehdurchführung	
DRN: 07.12.2022 ENGR: 07.12.2022 APPD:	DATE: 07.12.2022 NAME: MSL RMika	NO: 657-2963-125	
UNLESS SPECIFICALLY TOLERANCED, ALL DIMENSIONS ARE CONSIDERED REFERENCE			